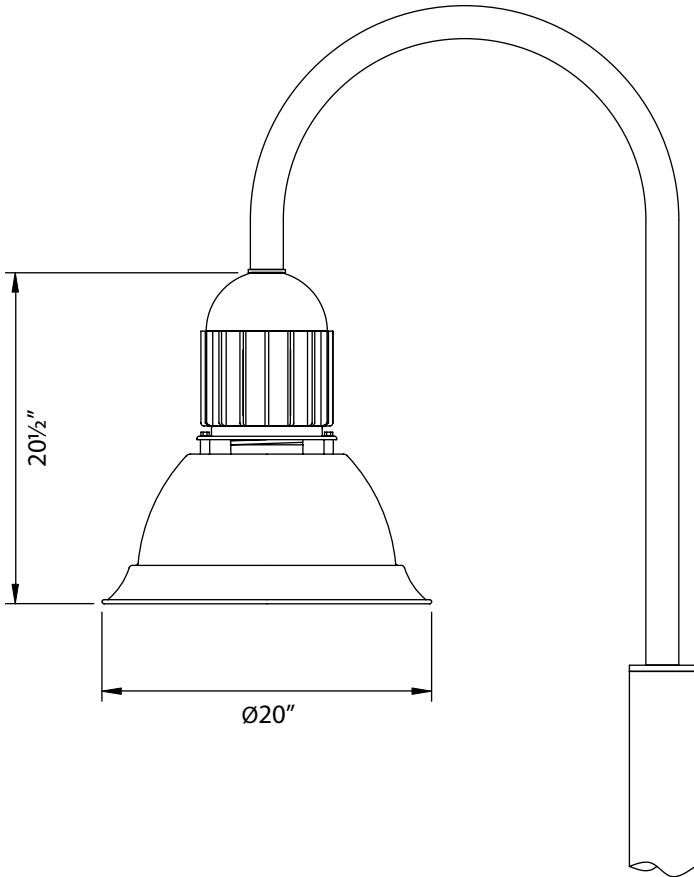




Diversified Architectural Lighting Inc.

939 Selkirk Ave., Pointe-Claire, Qc, Canada H9R 4S4
 Tel : 514.693.2117 Fax : 514.693.2177

Project :	Agent :
Type :	Approved by :
Cat No :	Date :



D1 mounting style

CC-SPM/DPM

coupole series - Classic -

Luminaire

Ballast housing is fabricated of heavy-duty cast aluminum with heat sink ridges. Decorative dome is a separate cast aluminum piece. Cast aluminum mounting plate covered with a cast aluminum adapter. Aluminum spacer allows a decorative minimal uplight.

Mounting

Cast aluminum canopy mounts onto a cast aluminum backplate, which is drilled into the wall around the junction box, and/or directly onto the junction box.

Optics

Tempered prismatic glass refractor encloses lamp. House side shield available to direct light.

Protection

The luminaire is completely protected from water and dust. A threaded spun aluminum holder retains the tempered glass refractor. Cast aluminum ballast housing is sealed with a cast aluminum plate which is gasketed.

Maintenance

Tool-free lamp maintenance with screw on refractor lens, removable through glass guard.

Electrical

Standard metal halide and high-pressure sodium luminaires are supplied with core and coil CSA/UL listed ballasts. All ballasts are guaranteed for at least 2 years directly from the ballast manufacturer. Components are horizontally opposed for thermal reduction. All components are mounted on a single plate for easy maintenance.

Pulse start metal halide luminaires are supplied with standard uniform pulse start systems suitable for universal lamp mounting. All components are mounted on a single plate for easy maintenance. Pulse start systems are guaranteed directly from the manufacturer for a period of 5 years.

Compact fluorescent: All compact fluorescent luminaires are supplied with electronic ballasts. Consult factory for dimming ballast to match controls and ballasts. Where the luminaire uses multiple ballasts, the ballasts are mounted on a single plate and can be individually removed.

See "Bases, poles and mountings" page for more options

Model #	Mounting	Arms	HID(wattage)		Voltage**		Color	Options
CC Small coupole flat glass	SPM Single pole mount	D1	70MH-PS*	50HPS	TT tri-tap	MT multi-tap	CC-Custom Color *** BLK-Black WHT-White SIL-Silver BRZ-Bronze	QRT-Quartz re-strike F-Fusing PC-Photocell
		D2	100MH-PS*	70HPS				
	DPM Double pole mount (D1 arm not available)	D3	125MH-PS*	100HPS	120	120		
		D4	150MH-PS*	150HPS	277	208		
		D5	175MH-PS*		347	240		
		D6				277		

*PS stands for pulse start
 ** Not all voltages are available for all lamp types
 ***Either supplying factory with a color chip or a RAL number can specify custom color. (Some custom colors will be subject to a small lot setup charge)

Ordering example:
 CC-SPM-D1-100MH-PS-120-BRZ
 This would order: Coupole single pole mount with D1 arm, 100W MH-PS, 120V, painted bronze.