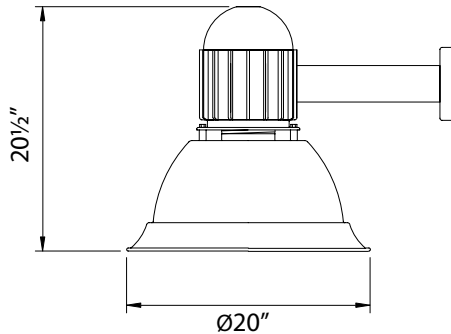




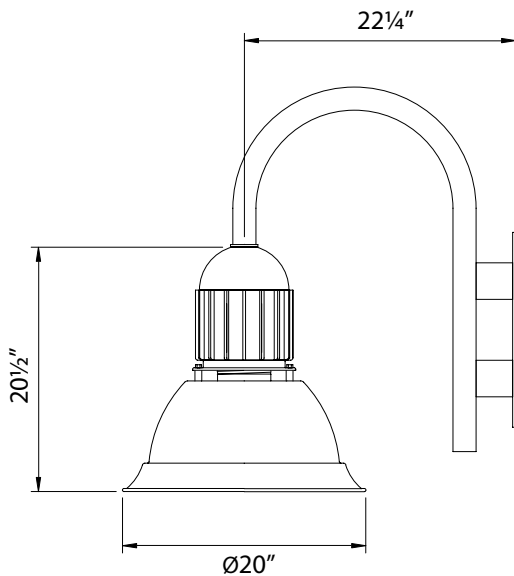
Diversified Architectural Lighting Inc.

939 Selkirk Ave., Pointe-Claire, Qc, Canada H9R 4S4
 Tel : 514.693.2117 Fax : 514.693.2177

Project :	Agent :
Type :	Approved by :
Cat No :	Date :



CC-WMD



CC-WMS

CC-WMD/WMS

coupole series - Classic -

Luminaire

Ballast housing is fabricated of heavy-duty cast aluminum with heat sink ridges. Decorative dome is a separate cast aluminum piece. Cast aluminum mounting plate covered with a cast aluminum adapter. Aluminum spacer allows a decorative minimal uplight.

Mounting

Cast aluminum canopy mounts onto a cast aluminum backplate, which is drilled into the wall around the junction box, and/or directly onto the junction box.

Optics

Tempered prismatic glass refractor encloses lamp. House side shield available to direct light.

Protection

The luminaire is completely protected from water and dust. A threaded spun aluminum holder retains the tempered glass refractor. Cast aluminum ballast housing is sealed with a cast aluminum plate which is gasketed.

Maintenance

Tool-free lamp maintenance with screw on refractor lens, removable through glass guard.

Electrical

Standard metal halide and high-pressure sodium luminaires are supplied with core and coil CSA/UL listed ballasts. All ballasts are guaranteed for at least 2 years directly from the ballast manufacturer. Components are horizontally opposed for thermal reduction. All components are mounted on a single plate for easy maintenance.

Pulse start metal halide luminaires are supplied with standard uniform pulse start systems suitable for universal lamp mounting. All components are mounted on a single plate for easy maintenance. Pulse start systems are guaranteed directly from the manufacturer for a period of 5 years.

Compact fluorescent: All compact fluorescent luminaires are supplied with electronic ballasts. Consult factory for dimming ballast to match controls and ballasts. Where the luminaire uses multiple ballasts, the ballasts are mounted on a single plate and can be individually removed.

Model #	Mounting	HID(wattage)		CFL(wattage)	Voltage**		Color	Options
CC	WMD Wall mounted down	50MH-PS*	50HPS	26DTT	TT	MT	CC -Custom Color *** BLK -Black WHT -White SIL -Silver BRZ -Bronze	QRT -Quartz re-strike F -Fusing PC -Photocell
		70MH-PS*	70HPS		tri-tap	multi-tap		
	WMS Wall mounted with sheppard's hook	100MH-PS*	100HPS	32TRT	120	120		
		150MH-PS*	150HPS	42TRT	277	208		
		175MH-PS*			347	240		
						277		

*PS stands for pulse start
 ** Not all voltages are available for all lamp types
 ***Either supplying factory with a color chip or a RAL number can specify custom color. (Some custom colors will be subject to a small lot setup charge)

Ordering example:
 CC-WMD-100MH-PS-120-BRZ
 This would order: Coupole wallmount, 100W MH-PS, 120V, painted bronze.