



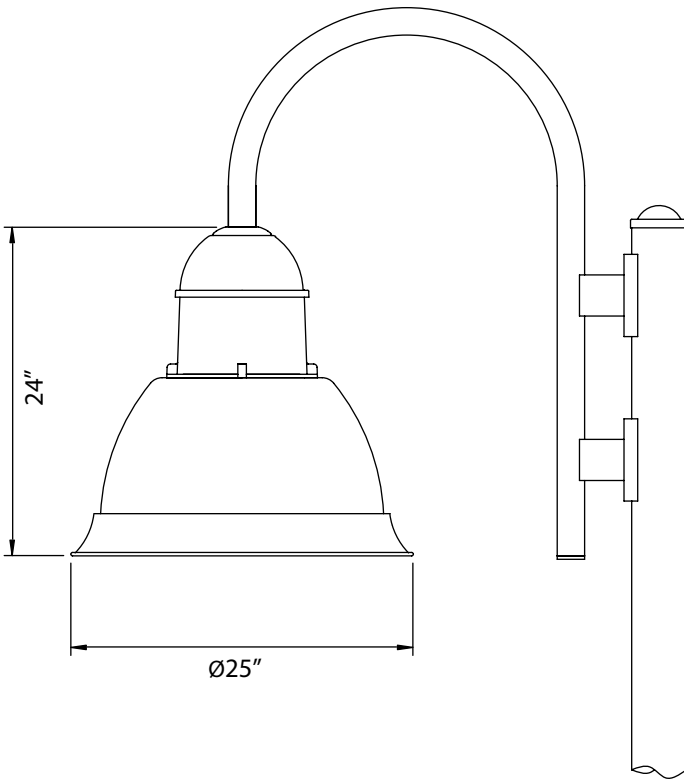
Diversified Architectural Lighting Inc.

939 Selkirk Ave., Pointe-Claire, Qc, Canada H9R 4S4
 Tel : 514.693.2117 Fax : 514.693.2177

Project :	Agent :
Type :	Approved by :
Cat No :	Date :

LCFG-SPM/DPM

coupole series — Flat glass —



D2 mounting style

Luminaire

Ballast housing is fabricated of one piece heavy-duty cast aluminum. Spun aluminum shade is fastened directly to the ballast housing. Electropolished hydroformed aluminum reflector houses a horizontal lamp and socket. Flat tempered glass lens is attached and gasketed to the aluminum door. The door is attached to the shade with a hinge for easy maintenance.

Mounting

Pole mounted luminaires are available with a wide variety of arms. Please see the "Bases, poles and mountings" page for some mounting options.

Optics

Hydroformed reflector houses a horizontal lamp for cutoff type applications. Most IES distribution types available. Contact factory for more details.

Protection

The luminaire is completely sealed from water and/or dust penetration. A gasket is applied between the door and glass lens. Another memory retentive gasket is applied between the door and the shade for total protection.

Maintenance

Release captive screws to open the hinge door and access the lamp. This is a quick, easy and safe process.

Electrical

Standard metal halide and high-pressure sodium luminaires are supplied with core and coil CSA/UL listed ballasts. All ballasts are guaranteed for at least 2 years directly from the ballast manufacturer. Components are horizontally opposed for thermal reduction. All components are mounted on a single plate for easy maintenance.

Pulse start metal halide luminaires are supplied with standard uniform pulse start systems suitable for universal lamp mounting. All components are mounted on a single plate for easy maintenance. Pulse start systems are guaranteed directly from the manufacturer for a period of 5 years.

Compact fluorescent: All compact fluorescent luminaires are supplied with electronic ballasts. Consult factory for dimming ballast to match controls and ballasts. Where the luminaire uses multiple ballasts, the ballasts are mounted on a single plate and can be individually removed.

See "Bases, poles and mountings" page for more options

Model #	Mounting	Arms	HID(wattage)	Voltage**	Color	Options
LCFG Large coupole flat glass	SPM Single pole mount	D1	175MH-PS* 150HPS	TT tri-tap	CC-Custom Color*** BLK-Black WHT-White SIL-Silver BRZ-Bronze	QRT-Quartz re-strike F-Fusing PC-Photocell
	DPM Double pole mount	D2 D3 D4 D5 D6	250MH-PS* 250HPS	MT multi-tap 120 120 208 240 277		

*PS stands for pulse start
 ** Not all voltages are available for all lamp types
 ***Either supplying factory with a color chip or a RAL number can specify custom color. (Some custom colors will be subject to a small lot setup charge)

Ordering example:
 LCFG-SPM-D1-250MH-PS-120-BRZ
 This would order: Large coupole flat glass, single pole mount with D1 arm, 250W MH-PS, 120V, painted bronze.