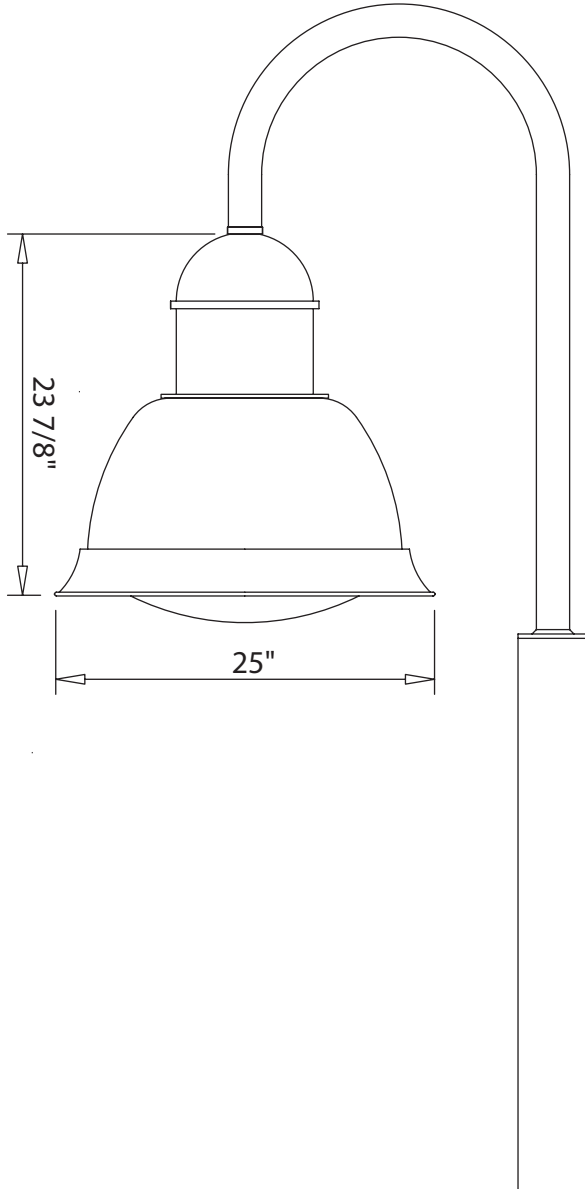




Diversified Architectural Lighting Inc.

939 Selkirk Ave., Pointe-Claire, Qc, Canada H9R 4S4
 Tel : 514.693.2117 Fax : 514.693.2177



See "Bases, poles and mountings" page for more options.

Project :

Type :

Date :

LCSSL-SPM/DPM coupole series with sag lens

Luminaire:

Ballast housing is fabricated of one piece heavy-duty cast aluminum. Spun aluminum shade is fastened directly to the ballast housing. Electropolished hydroformed aluminum reflector houses a horizontal lamp and socket. Sag tempered glass lens is attached and gasketed to the aluminum door. The door is attached to the shade with a hinge for easy maintenance.

Mounting:

Pole mounted luminaires are available with a wide variety of arms. Please see the "Bases, poles and mountings" page for some mounting options.

Optics:

Hydroformed reflector houses a horizontal lamp for cutoff type applications. Most IES distribution types available. Contact factory for more details.

Protection:

The luminaire is completely sealed from water and/or dust penetration. A gasket is applied between the door and glass lens. Another memory retentive gasket is applied between the door and the shade for total protection.

Maintenance:

Release captive screws to open the hinge door and access the lamp. This is a quick, easy and safe process.

Electrical:

Standard metal halide and high-pressure sodium luminaires are supplied with core and coil CSA / UL listed ballasts. All ballasts are guaranteed for at least 2 years directly from the ballast manufacturer. Components are horizontally opposed for thermal reduction. All components are mounted on a single plate for easy maintenance.

Pulse start metal halide luminaires are supplied with standard uniform pulse start systems suitable for vertical lamp mounting. All components are mounted on a single plate for easy maintenance. Pulse start systems are guaranteed directly from the manufacturer for a period of 5 years.

Compact fluorescent: All compact fluorescent luminaires are supplied with electronic ballasts. Consult factory for dimming ballast to match controls and ballasts. In the case where the luminaire uses multiple ballasts, the ballasts are mounted on a single plate and can be individually removed.

Model #	Mounting	Arms	Wattage-Lamp	Voltage**	Color	Options
LCSSL Large coupole sag lens	SPM - Single pole mount	D1	150HPS	TT - Tri-Tap	CC -Custom Color *** BLK -Black WHT -White SIL -Silver BRZ -Bronze	QRT -Quartz re-strike F - Fusing
		D2	175MH	MT - Multi-Tap		
		D3	250HPS	120		
	DPM - Double pole mount	D4	250MH	208		
		D5	400MH	240		
		D6	400HPS	277		
			ED28*	347		



*PS stands for pulse start

** Not all voltages are available for all lamp types

***Either supplying factory with a color chip or a RAL number can specify custom color. (Some custom colors will be subject to a small lot setup charge)



Ordering example:

LCSSL-SPM-D1-250MH-120-BRZ

This would order : Large coupole with sag lens, single pole mount with D1 arm, 250W metal halide, 120V, painted bronze.

*

ED lamps are available only in MH.