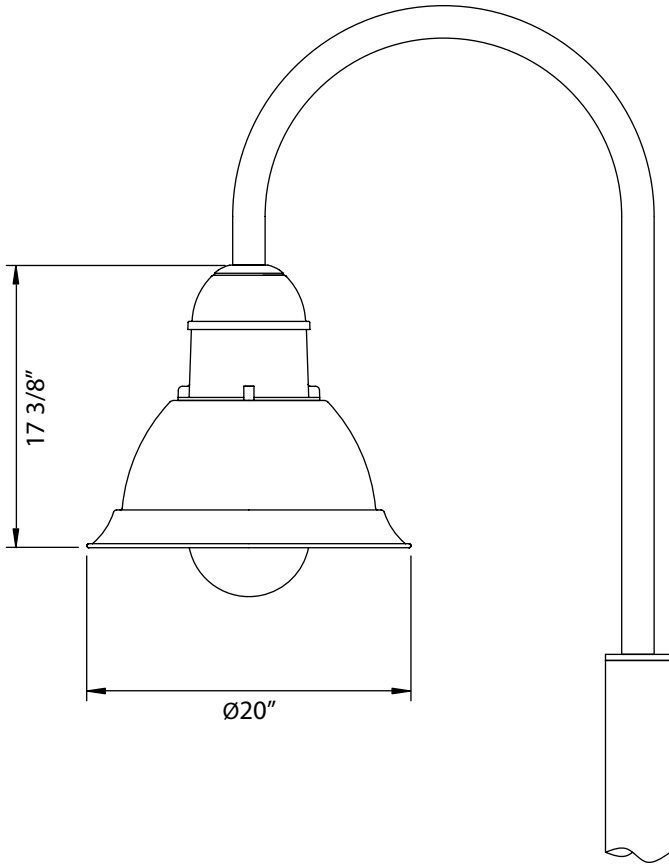




Diversified Architectural Lighting Inc.

939 Selkirk Ave., Pointe-Claire, Qc, Canada H9R 4S4
 Tel : 514.693.2117 Fax : 514.693.2177

Project :	Agent :
Type :	Approved by :
Cat No :	Date :



D1 mounting style

SCDG-SPM/DPM

coupole series - Drop globe -

Luminaire

Ballast housing is fabricated of one piece heavy-duty cast aluminum. Spun aluminum shade is fastened directly to the ballast housing. Spun aluminum refractor holder secures the refractor and is enclosed with a clear polycarbonate globe.

Mounting

Pole mounted luminaires are available in a wide variety of arms. Please see the "Bases, poles and mountings" page for some mounting options.

Optics

Refractor is offered in type III or V distribution. Contact factory for more options.

Protection

The luminaire is completely protected from water and dust. A spun aluminum holder retains the tempered glass refractor. Cast aluminum ballast housing is gasketed. Polycarbonate globe is completely enclosed.

Electrical

Standard metal halide and high-pressure sodium luminaires are supplied with core and coil CSA/UL listed ballasts. All ballasts are guaranteed for at least 2 years directly from the ballast manufacturer. Components are horizontally opposed for thermal reduction. All components are mounted on a single plate for easy maintenance.

Pulse start metal halide luminaires are supplied with standard uniform pulse start systems suitable for universal lamp mounting. All components are mounted on a single plate for easy maintenance. Pulse start systems are guaranteed directly from the manufacturer for a period of 5 years.

Compact fluorescent: All compact fluorescent luminaires are supplied with electronic ballasts. Consult factory for dimming ballast to match controls and ballasts. Where the luminaire uses multiple ballasts, the ballasts are mounted on a single plate and can be individually removed.

See "Bases, poles and mountings" page for more options

Model #	Mounting	Arms	HID(wattage)	CFL(wattage)	Voltage**	Color	Options
SCDG Small coupole drop globe	SPM Single pole mount	D1	70MH-PS* 50HPS	26DTT 32TRT 42TRT	TT tri-tap MT multi-tap	CC -Custom Color *** BLK -Black WHT -White SIL -Silver BRZ -Bronze	QRT -Quartz re-strike F -Fusing PC -Photocell
		D2	100MH-PS* 70HPS				
	DPM Double pole mount (D1 arm not available)	D3	125MH-PS* 100HPS	120 120			
		D4	150MH-PS* 150HPS	277 208			
		D5	175MH-PS*	347 240			
		D6		277			

*PS stands for pulse start
 ** Not all voltages are available for all lamp types
 ***Either supplying factory with a color chip or a RAL number can specify custom color. (Some custom colors will be subject to a small lot setup charge)

Ordering example:
 SCDG-SPM-D1-100MH-PS-120-BRZ
 This would order: Small coupole drop globe, single pole mount with D1 arm, 100W MH-PS, 120V, painted bronze.