



# Diversified Architectural Lighting Inc.

939 Selkirk Ave., Pointe-Claire, Qc, Canada H9R 4S4  
 Tel : 514.693.2117 Fax : 514.693.2177

Project :	Agent :
Type :	Approved by :
Cat No :	Date :

## SCFG-SPM/DPM

## coupole series — Flat glass —

### Luminaire

Ballast housing is fabricated of one piece heavy-duty cast aluminum. Spun aluminum shade is fastened directly to the ballast housing. Electropolished hydroformed aluminum reflector houses a horizontal lamp and socket. Flat tempered glass lens is attached and gasketed to the aluminum door. The door is attached to the shade with a hinge for easy maintenance.

### Mounting

Pole mounted luminaires are available with a wide variety of arms. Please see the "Bases, poles and mountings" page for some mounting options.

### Optics

Hydroformed reflector houses a horizontal lamp for cutoff type applications. Most IES distribution types available. Contact factory for more details.

### Protection

The luminaire is completely sealed from water and/or dust penetration. A gasket is applied between the door and glass lens. Another memory retentive gasket is applied between the door and the shade for total protection.

### Maintenance

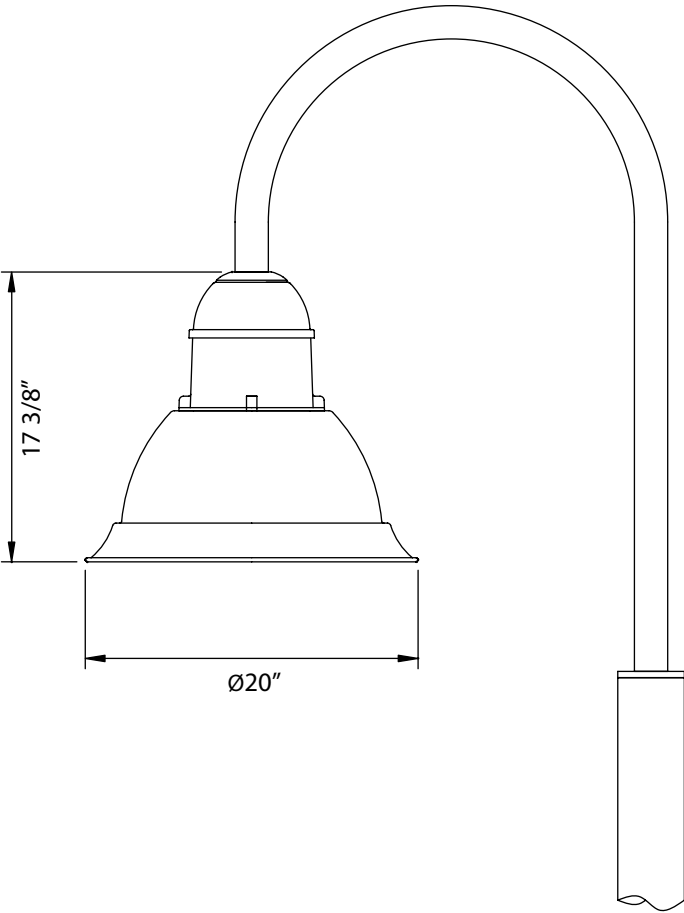
Release captive screws to open the hinge door and access the lamp. This is a quick, easy and safe process.

### Electrical

Standard metal halide and high-pressure sodium luminaires are supplied with core and coil CSA/UL listed ballasts. All ballasts are guaranteed for at least 2 years directly from the ballast manufacturer. Components are horizontally opposed for thermal reduction. All components are mounted on a single plate for easy maintenance.

Pulse start metal halide luminaires are supplied with standard uniform pulse start systems suitable for universal lamp mounting. All components are mounted on a single plate for easy maintenance. Pulse start systems are guaranteed directly from the manufacturer for a period of 5 years.

Compact fluorescent: All compact fluorescent luminaires are supplied with electronic ballasts. Consult factory for dimming ballast to match controls and ballasts. Where the luminaire uses multiple ballasts, the ballasts are mounted on a single plate and can be individually removed.



D1 mounting style

See "Bases, poles and mountings" page for more options

Model #	Mounting	Arms	HID(wattage)		Voltage**		Color	Options
SCFG Small coupole flat glass	SPM Single pole mount	D1	70MH-PS*	50HPS	TT tri-tap	MT multi-tap	CC-Custom Color *** BLK-Black WHT-White SIL-Silver BRZ-Bronze	QRT-Quartz re-strike F-Fusing PC-Photocell
		D2	100MH-PS*	70HPS	120	120		
	DPM Double pole mount (D1 arm not available)	D3	125MH-PS*	100HPS	277	208		
		D4	150MH-PS*	150HPS	347	240		
		D5	175MH-PS*			277		
		D6						

\*PS stands for pulse start  
 \*\* Not all voltages are available for all lamp types  
 \*\*\*Either supplying factory with a color chip or a RAL number can specify custom color. (Some custom colors will be subject to a small lot setup charge)

Ordering example:  
 SCFG-SPM-D1-100MH-PS-120-BRZ  
 This would order: Small coupole flat glass, single pole mount with D1 arm, 100W MH-PS, 120V, painted bronze.