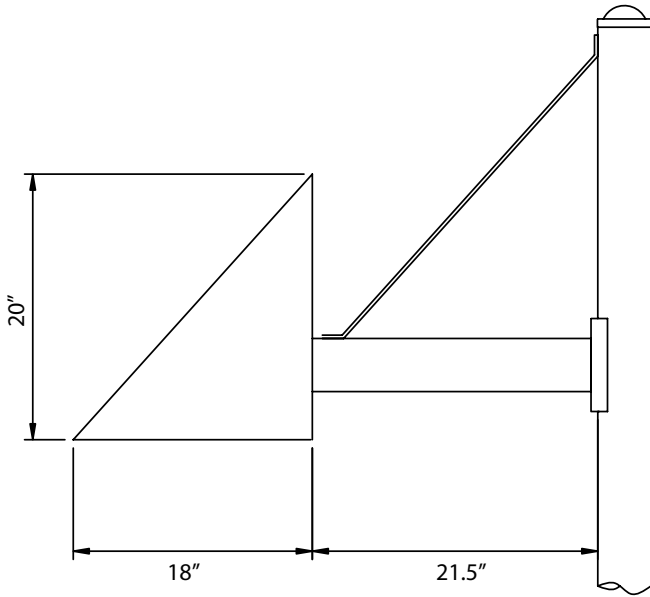




Diversified Architectural Lighting Inc.

939 Selkirk Ave., Pointe-Claire, Qc, Canada H9R 4S4
 Tel : 514.693.2117 Fax : 514.693.2177

Project :	Agent :
Type :	Approved by :
Cat No :	Date :



D3 mounting style

ADG-SPM/DPM

art deco series

Luminaire:

Luminaire is fabricated with heavy gauge sheet aluminum and houses both the ballast and the lamp. Clear tempered glass lens is attached to the aluminum door frame which is mounted on hinges for easy access. All electrical components are mounted on a single plate. Horizontal lamp is placed in an electropolished hydroformed reflector. Precision laser cut plate holds the reflector and covers all components for clean and safe finish.

Optics:

Hydroformed reflector houses a horizontal lamp for cutoff type applications. Most IES distribution types available. Contact factory for more details.

Protection:

The luminaire is completely sealed from water and/or dust penetration. A gasket is applied between the door and glass lens. Another memory retentive gasket is applied between the door and the housing for total protection.

Maintenance:

Hinged door design simplifies access to the lamp and ballast.

Electrical:

Standard metal halide and high-pressure sodium luminaires are supplied with core and coil CSA / UL listed ballasts. All ballasts are guaranteed for at least 2 years directly from the ballast manufacturer. Components are horizontally opposed for thermal reduction. All components are mounted on a single plate for easy maintenance.

Pulse start metal halide luminaires are supplied with standard uniform pulse start systems suitable for horizontal lamp mounting. All components are mounted on a single plate for easy maintenance. Pulse start systems are guaranteed directly from the manufacturer for a period of 5 years.

Compact fluorescent: All compact fluorescent luminaires are supplied with electronic ballasts. Consult factory for dimming ballast to match controls and ballasts. In the case where the luminaire uses multiple ballasts, the ballasts are mounted on a single plate and can be individually removed.

Model #	Mounting	Arms	HID(wattage)	Voltage**	Color	Options
ADG	SPM Single pole mount	D3	50MH-PS* 50HPS	TT MT	CC -Custom Color *** BLK -Black WHT -White SIL -Silver BRZ -Bronze	QRT -Quartz re-strike F -Fusing PC -Photocell
			70MH-PS* 70HPS	tri-tap multi-tap		
	DPM Double pole mount	D4	100MH-PS* 100HPS	120 120		
			175MH 150HPS	277 208 347 240 277		

*PS stands for pulse start
 ** Not all voltages are available for all lamp types
 ***Either supplying factory with a color chip or a RAL number can specify custom color. (Some custom colors will be subject to a small lot setup charge)

Ordering example:
 ADP-SPM-100MH-PS-120-BRZ
 This would order: Art deco, single pole mount, 100W MH, 120V, painted bronze.