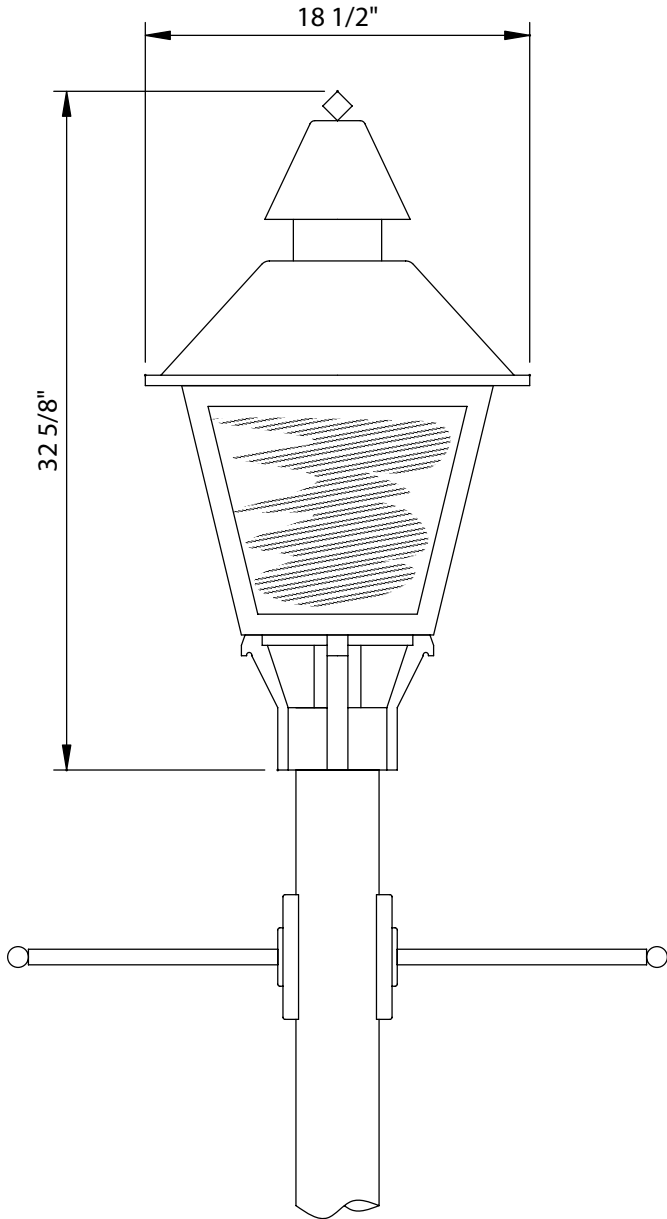




# Diversified Architectural Lighting Inc.

939 Selkirk Ave., Pointe-Claire, Qc, Canada H9R 4S4  
 Tel : 514.693.2117 Fax : 514.693.2177

Project :	Agent :
Type :	Approved by :
Cat No :	Date :



## CS-PT

## carriage series

### Luminaire:

The entire luminaire is built of heavy duty cast aluminum. Clear borosilicate tempered glass is sealed to the housing on all four sides. CS series lamp is vertically positioned inside a prismatic glass refractor. All the electrical components are on a single tray and are placed inside the top of the housing. A specular aluminum reflector covers these components.

### Mounting:

Pole mounted luminaires are available with a wide variety of arms. Please see the reverse page for more mounting options. Carriage series can also be wall mounted (consult factory).

### Optics:

The lamp is vertically positioned inside the prismatic refractor. Refractor is available for type III or V distribution. A specular aluminum reflector is on top of the housing, re-directing the uplight for added efficiency.

### Protection:

The luminaire is completely sealed from water and dust penetration. All glass overlaps the housing on the inside and is sealed with a silicone compound. A memory retentive gasket is applied between the cap and the cage where the luminaire opens for maintenance.

### Maintenance:

The top cap is hinged to the lower part of the housing. Simply loosen 2 screws and lift the cap for easy lamp and ballast maintenance.

### Electrical:

Standard metal halide and high-pressure sodium luminaires are supplied with core and coil CSA / UL listed ballasts. All ballasts are guaranteed for at least 2 years directly from the ballast manufacturer. Components are horizontally opposed for thermal reduction. All components are mounted on a single plate for easy maintenance.

Pulse start metal halide luminaires are supplied with standard uniform pulse start systems suitable for vertical lamp mounting. All components are mounted on a single plate for easy maintenance. Pulse start systems are guaranteed directly from the manufacturer for a period of 5 years.

Compact fluorescent: All compact fluorescent luminaires are supplied with electronic ballasts. Consult factory for dimming ballast to match controls and ballasts. In the case where the luminaire uses multiple ballasts, the ballasts are mounted on a single plate and can be individually removed.

Model #	Mounting	HID(wattage)		CFL(wattage)	Voltage**		Color	Options
<b>CS</b>	<b>PT</b> post top	<b>50MH-PS*</b>	<b>50HPS</b>	<b>26DTT</b> <b>32TRT</b> <b>42TRT</b>	<b>TT</b> tri-tap <b>120</b> <b>277</b> <b>347</b>	<b>MT</b> multi-tap <b>120</b> <b>208</b> <b>240</b> <b>277</b>	<b>CC</b> -Custom Color *** <b>BLK</b> -Black <b>WHT</b> -White <b>SIL</b> -Silver <b>BRZ</b> -Bronze	<b>QRT</b> -Quartz re-strike <b>F</b> -Fusing <b>PC</b> -Photocell
		<b>70MH-PS*</b>	<b>70HPS</b>					
		<b>100MH-PS*</b>	<b>100HPS</b>					
		<b>150MH-PS*</b>	<b>150HPS</b>					
		<b>175MH-PS*</b>	<b>150HPS</b>					

\*PS stands for pulse start  
 \*\* Not all voltages are available for all lamp types  
 \*\*\*Either supplying factory with a color chip or a RAL number can specify custom color. (Some custom colors will be subject to a small lot setup charge)

Ordering example:  
 CS-PT-100MH-PS-120-BRZ  
 This would order: Carriage post top, 100W MH-PS, 120V, painted bronze.