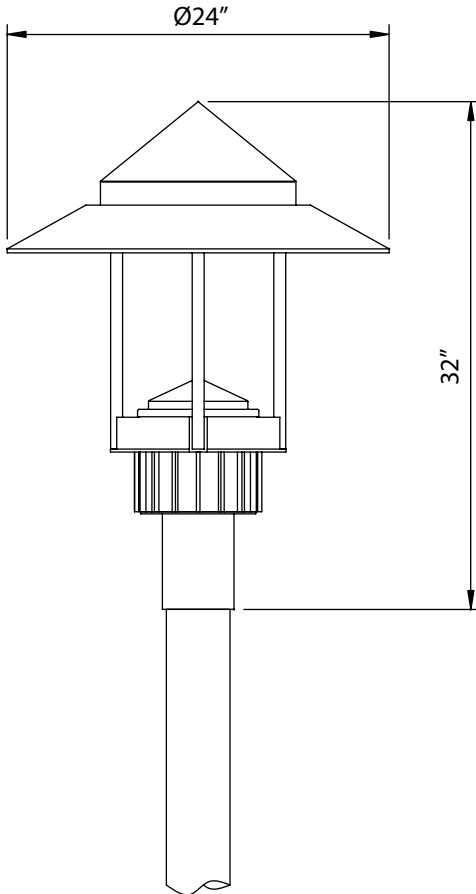




Diversified Architectural Lighting Inc.

939 Selkirk Ave., Pointe-Claire, Qc, Canada H9R 4S4
 Tel : 514.693.2117 Fax : 514.693.2177

Project :	Agent :
Type :	Approved by :
Cat No :	Date :



CTS-PT

contempo series

Luminaire:

Ballast housing is heavy duty cast aluminum with heat sink ridges. Cast aluminum collar is fastened over the ballast housing. Four aluminum spacers are placed at 90 degrees around the collar to connect to the lamp housing. Lamp housing is spun aluminum with anodized aluminum reflector for the horizontal lamp. Conical anodized aluminum spinning is installed on top of the collar to re-direct downlight.

Mounting:

Pole mounted luminaires are available with a wide variety of arms. Please see the reverse page for mounting options. Contempo series can also be wall mounted.

Optics:

The lamp is horizontally positioned in the anodized aluminum reflector. Clear tempered glass lens encloses the optical system. Specular spun aluminum conical reflector directs the light outwards.

Protection:

The luminaire is completely sealed from water and dust penetration. Ballast and lamp are in separate compartments. Glass is sealed to the door frame and door frame closes on a memory retentive gasket.

Maintenance:

Loosen three screws to remove the door frame and access lamp for maintenance.

Electrical:

Standard metal halide and high-pressure sodium luminaires are supplied with core and coil CSA / UL listed ballasts. All ballasts are guaranteed for at least 2 years directly from the ballast manufacturer. Components are horizontally opposed for thermal reduction. All components are mounted on a single plate for easy maintenance.

Pulse start metal halide luminaires are supplied with standard uniform pulse start systems suitable for vertical lamp mounting. All components are mounted on a single plate for easy maintenance. Pulse start systems are guaranteed directly from the manufacturer for a period of 5 years.

Compact fluorescent: All compact fluorescent luminaires are supplied with electronic ballasts. Consult factory for dimming ballast to match controls and ballasts. In the case where the luminaire uses multiple ballasts, the ballasts are mounted on a single plate and can be individually removed.

Model #	Mounting	HID(wattage)		CFL(wattage)	Voltage**		Color	Options
CTS	PT post top	50MH-PS*	50HPS	26DTT 32TRT 42TRT	TT	MT	CC-Custom Color *** BLK-Black WHT-White SIL-Silver BRZ-Bronze	QRT-Quartz re-strike F-Fusing PC-Photocell
		70MH-PS*	70HPS		tri-tap	multi-tap		
		100MH-PS*	100HPS		120	120		
		150MH-PS*	150HPS		277	208		
		175MH-PS*			347	240		
						277		

*PS stands for pulse start
 ** Not all voltages are available for all lamp types
 ***Either supplying factory with a color chip or a RAL number can specify custom color. (Some custom colors will be subject to a small lot setup charge)

Ordering example:
 CTS-PT-100MH-PS-120-BRZ
 This would order: Contempo, post top, 100W MH-PS, 120V, painted bronze.