

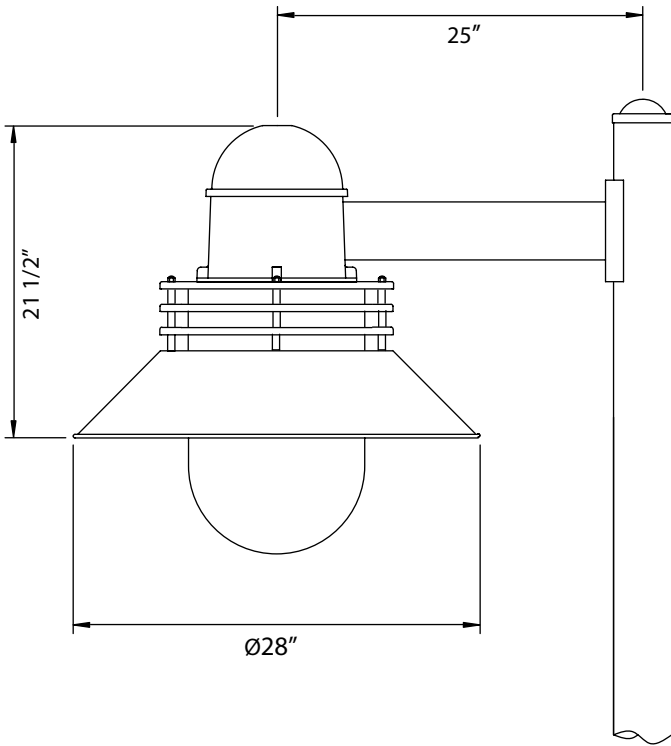


Diversified Architectural Lighting Inc.

939 Selkirk Ave., Pointe-Claire, Qc, Canada H9R 4S4
 Tel : 514.693.2117 Fax : 514.693.2177

Project :	Agent :
Type :	Approved by :
Cat No :	Date :

CT3-SPM/DPM contour series



D4 mounting style

Luminaire:

Ballast housing is fabricated of one piece heavy-duty cast aluminum. Aluminum spacers fasten the ballast housing to the spun aluminum shade. Three decorative aluminum rings are placed along the spacers to allow minimal uplight. Borosilicate glass refractor is fastened directly to the ballast housing and is enclosed with a polycarbonate globe.

Mounting:

Pole mounted luminaires are available with a wide variety of arms. See the "Bases, poles and mountings" page for some mounting options.

Optics:

Type III or type V distribution available.

Protection:

The luminaire is completely protected from water and dust. A threaded spun aluminum holder overlaps the tempered glass refractor. Cast aluminum ballast housing is sealed with a cast aluminum plate which is gasketed.

Maintenance:

Quick and easy lamp maintenance through removable globe.

Electrical:

Standard metal halide and high-pressure sodium luminaires are supplied with core and coil CSA / UL listed ballasts. All ballasts are guaranteed for at least 2 years directly from the ballast manufacturer. Components are horizontally opposed for thermal reduction. All components are mounted on a single plate for easy maintenance.

Pulse start metal halide luminaires are supplied with standard uniform pulse start systems suitable for vertical lamp mounting. All components are mounted on a single plate for easy maintenance. Pulse start systems are guaranteed directly from the manufacturer for a period of 5 years.

Compact fluorescent: All compact fluorescent luminaires are supplied with electronic ballasts. Consult factory for dimming ballast to match controls and ballasts. In the case where the luminaire uses multiple ballasts, the ballasts are mounted on a single plate and can be individually removed.

See "Bases, poles and mountings" page for more options

Model #	Mounting	Ring	Arms	HID(wattage)	CFL(wattage)	Voltage**	Color	Options
CT3	SPM Single pole mount	AL- aluminum	D1	70MH-PS* 70HPS	26DTT 32TRT 42TRT	TT tri-tap 120 277 347 MT multi-tap 120 208 240 277	CC-Custom Color *** BLK-Black WHT-White SIL-Silver BRZ-Bronze	QRT-Quartz re-strike F-Fusing PC-Photocell
		BA- blue acrylic	D2	100MH-PS* 100HPS				
	DPM Double pole mount	CA- clear acrylic	D3	175MH-PS* 150HPS				
		D4	150MH-PS* 250HPS					
		D5	250MH-PS*					
		D6						

*PS stands for pulse start
 ** Not all voltages are available for all lamp types
 ***Either supplying factory with a color chip or a RAL number can specify custom color. (Some custom colors will be subject to a small lot setup charge)

Ordering example:
 CT3-SPM-D1-AL-100MH-PS-120-BRZ
 This would order: Contour 3, single pole mount with sheppard's hook and aluminum rings, 100W MH-PS, 120V, painted bronze.

contour