

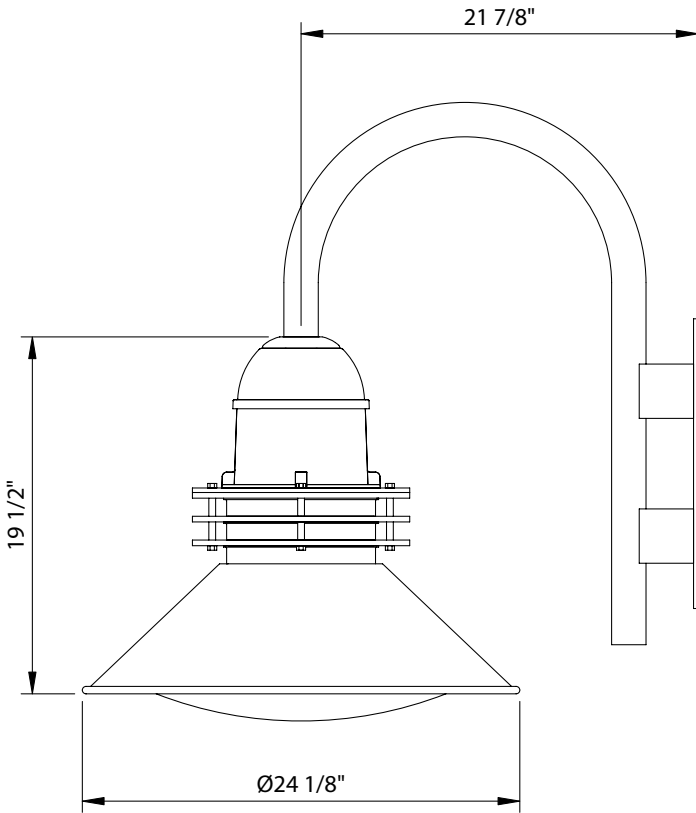


Diversified Architectural Lighting Inc.

939 Selkirk Ave., Pointe-Claire, Qc, Canada H9R 4S4
 Tel : 514.693.2117 Fax : 514.693.2177

Project :	Agent :
Type :	Approved by :
Cat No :	Date :

CT4-WMD/WMS contour series



WMS mounting style, Sag lens
 *Flat glass also available: please specify

Luminaire:

Ballast housing is one piece heavy-duty cast aluminum. Aluminum spacers fasten the ballast housing to the spun aluminum shade. Three decorative aluminum rings are placed along the spacers to allow minimal uplight. Borosilicate glass refractor is fastened directly to the ballast housing and is enclosed with a polycarbonate globe.

Mounting:

The luminaire is supported by twin arms welded to a rigid aluminum wall plate that is attached to the wall around the junction box.

Optics:

Type III or type V distribution available.

Protection:

The luminaire is completely protected from water and dust. A threaded spun aluminum holder overlaps the tempered glass refractor. Cast aluminum ballast housing is sealed with a cast aluminum plate which is gasketed.

Maintenance:

Quick and easy lamp maintenance through removing globes

Electrical:

Standard metal halide and high-pressure sodium luminaires are supplied with core and coil CSA / UL listed ballasts. All ballasts are guaranteed for at least 2 years directly from the ballast manufacturer. All components are mounted on a single plate for easy maintenance.

Pulse start metal halide luminaires are supplied with standard uniform pulse start systems suitable for vertical lamp mounting. Pulse start systems are guaranteed directly from the manufacturer for a period of 5 years.

Compact fluorescent: All compact fluorescent luminaires are supplied with electronic ballasts. Consult factory for dimming ballast to match controls and ballasts. In the case where the luminaire uses multiple ballasts, the ballasts are mounted on a single plate and can be individually removed.

Model #	Mounting	Ring	HID(wattage)	CFL(wattage)	Voltage**	Color	Options
CT4	WMD Wall mounted down (straight arm) WMS Wall mounted with shepherd's hook (as shown)	AL- aluminum BA- blue acrylic CA- clear acrylic	50MH-PS* 50HPS 70MH-PS* 70HPS 100MH-PS* 100HPS 175MH-PS* 150HPS	26DTT 32TRT 42TRT	TT MT <small>tri-tap</small> <small>multi-tap</small> 120 120 277 208 347 240 277	CC-Custom Color *** BLK-Black WHT-White SIL-Silver BRZ-Bronze	F-Fusing PC-Photocell SL-Sag lens FG-Flat glass

*PS stands for pulse start
 ** Not all voltages are available for all lamp types
 ***Either supplying factory with a color chip or a RAL number can specify custom color. (Some custom colors will be subject to a small lot setup charge)

Ordering example:
 CT4-WMD-AL-100MH-PS-120-BRZ
 This would order: Contour series 4, wall mounted down with aluminum rings, 100W MH-PS, 120V, painted bronze.

contour