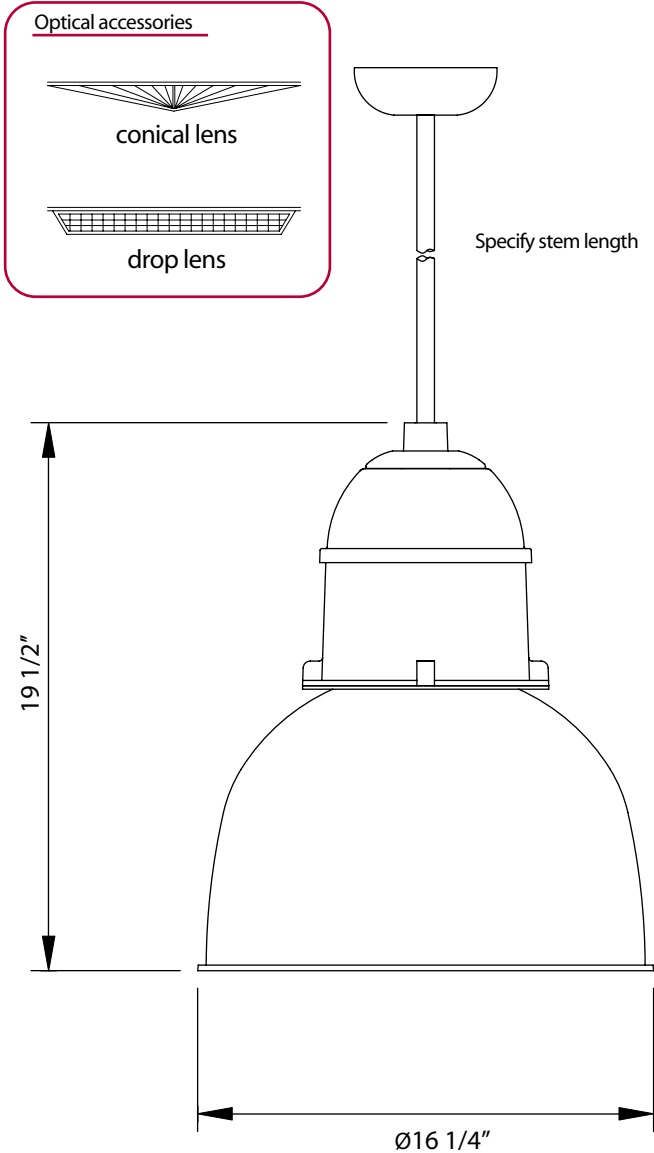




# Diversified Architectural Lighting Inc.

939 Selkirk Ave., Pointe-Claire, Qc, Canada H9R 4S4  
 Tel : 514.693.2117 Fax : 514.693.2177

Project :	Agent :
Type :	Approved by :
Cat No :	Date :



## DBFAL-16

## deco bay series

— Indoor —

### Housing

Ballast housing is heavy-duty cast aluminum. Stem is inserted into female cast aluminum device and secured with a screw horizontally positioned.

### Reflector

Energy efficient 16" diameter reflector is to be used in low to medium commercial / industrial decorative areas.

### Electrical

Standard metal halide and high-pressure sodium luminaires are supplied with core and coil CSA/UL listed ballasts. All ballasts are guaranteed for at least 2 years directly from the ballast manufacturer. Components are horizontally opposed for thermal reduction. All components are mounted on a single plate for easy maintenance.

Pulse start metal halide luminaires are supplied with standard uniform pulse start systems suitable for universal lamp mounting. All components are mounted on a single plate for easy maintenance. Pulse start systems are guaranteed directly from the manufacturer for a period of 5 years.

Compact fluorescent: All compact fluorescent luminaires are supplied with electronic ballasts. Consult factory for dimming ballast to match controls and ballasts. Where the luminaire uses multiple ballasts, the ballasts are mounted on a single plate and can be individually removed.

Luminaires with multiple lamps use a single disc to mount all sockets.

Model #	Mounting	HID(wattage)		CFL(max wattage)	Voltage**		Color	Options
<b>DBFAL16</b>	<b>Pxx</b> (length in inches) Pendant and length	<b>70MH-PS*</b>	<b>50HPS</b>	<b>4x 18DTT</b>	<b>TT</b> tri-tap	<b>MT</b> multi-tap	<b>CC</b> -Custom Color ***	<b>QRT</b> -Quartz re-strike
		<b>100MH-PS*</b>	<b>70HPS</b>	<b>4x 26DTT</b>	<b>120</b>	<b>120</b>	<b>BLK</b> -Black	<b>REM</b> -Remote emergency ballast
	<b>WM</b> Wall mounted	<b>125MH-PS*</b>	<b>100HPS</b>	<b>4x 32TRT</b>	<b>277</b>	<b>208</b>	<b>WHT</b> -White	<b>F</b> -Fusing
		<b>150MH-PS*</b>	<b>150HPS</b>	<b>4x 42TRT</b>	<b>347</b>	<b>240</b>	<b>SIL</b> -Silver	<b>CL</b> -Conical lens
	Specify stem length	<b>175MH-PS*</b>	<b>250HPS</b>			<b>277</b>	<b>BRZ</b> -Bronze	<b>DL</b> -Drop lens
		<b>250MH-PS*</b>					<b>WG</b> -WireGuard	
								<b>FG</b> -Flat glass

\*PS stands for pulse start  
 \*\* Not all voltages are available for all lamp types  
 \*\*\*Either supplying factory with a color chip or a RAL number can specify custom color. (Some custom colors will be subject to a small lot setup charge)

**Ordering example:**  
 DBFAL16-P36-100MH-PS-120-BRZ  
 This would order:Deco bay series with a 16" diameter reflector, pendant with a 36" stem, 100W MH-PS, 120V painted bronze.