



Diversified Architectural Lighting Inc.

227-A Brunswick Blvd., Pointe-Claire, QC, Canada H9R 4X5
 Tel : 514.693.2117 Fax : 514.693.2177

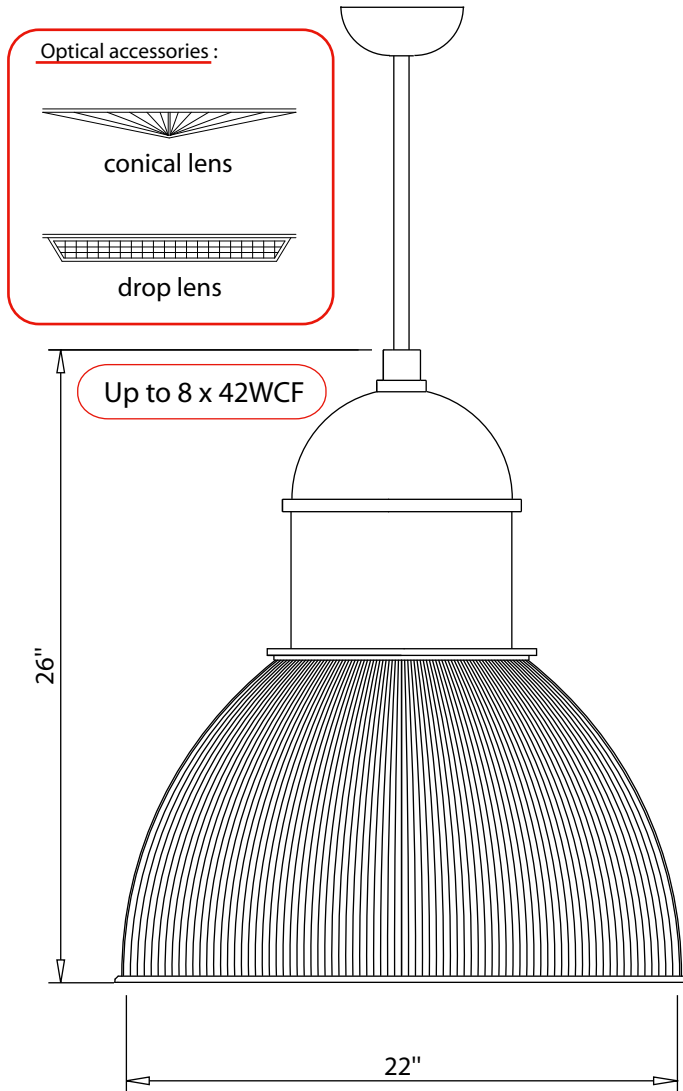
Project :

Type :

Date :

DBFPR-22

deco bay series



Housing:

Ballast housing is fabricated of one piece heavy-duty cast aluminum. Stem is inserted into female cast aluminum device and secured with a screw horizontally positioned.

Refractor:

Energy efficient 22" diameter refractor is to be used in low to medium commercial / industrial decorative areas. Clear acrylic molded in Atoglas plexiglass® or Ineos acrylics Perspex®. Custom colors (for refractor) are available, contact factory for more information.

Electrical:

Standard metal halide and high-pressure sodium luminaires are supplied with core and coil CSA / UL listed ballasts. All ballasts are guaranteed for at least 2 years directly from the ballast manufacturer. Components are horizontally opposed for thermal reduction. All components are mounted on a single plate for easy maintenance.

Pulse start metal halide luminaires are supplied with standard uniform pulse start systems suitable for vertical lamp mounting. All components are mounted on a single plate for easy maintenance. Pulse start systems are guaranteed directly from the manufacturer for a period of 5 years.

Compact fluorescent: All compact fluorescent luminaires are supplied with electronic ballasts. Consult factory for dimming ballast to match controls and ballasts. Where the luminaires use multiple ballasts, the ballasts are mounted on a single plate and can be individually removed.

Luminaires with multiple lamps use a single disc to mount all sockets.

Model #	Mounting	Wattage-Lamp		Voltage**	Color	Options
DBFPR-22	Pxx (length in inches) - Pendant and length	175MH	300MH-PS*	TT- Tri-Tap	CC -Custom Color *** BLK -Black WHT -White SIL -Silver BRZ -Bronze	QRT -Quartz re-strike EM -Emergency ballast PC -polycarbonate refractor F - Fusing
		250MH	342- 3 x 42WCF	MT- Multi-Tap		
	150MH-PS*	442- 4 x 42WCF	120			
	175MH-PS*	842- 8 x 42W	208			
	250MH-PS*		240			
WM - Wall mount			277			
				347		

*PS stands for pulse start
 ** Not all voltages are available for all lamp types
 ***Either supplying factory with a color chip or a RAL number can specify custom color. (Some custom colors will be subject to a small lot setup charge)

Ordering example:
 DBFPR-22-P36-100MH/PS-120-BRZ
 This would order: Deco-Bay series with a 22" diameter refractor, pendant with a 36" stem, 100W MH pulse start, 120V painted bronze.