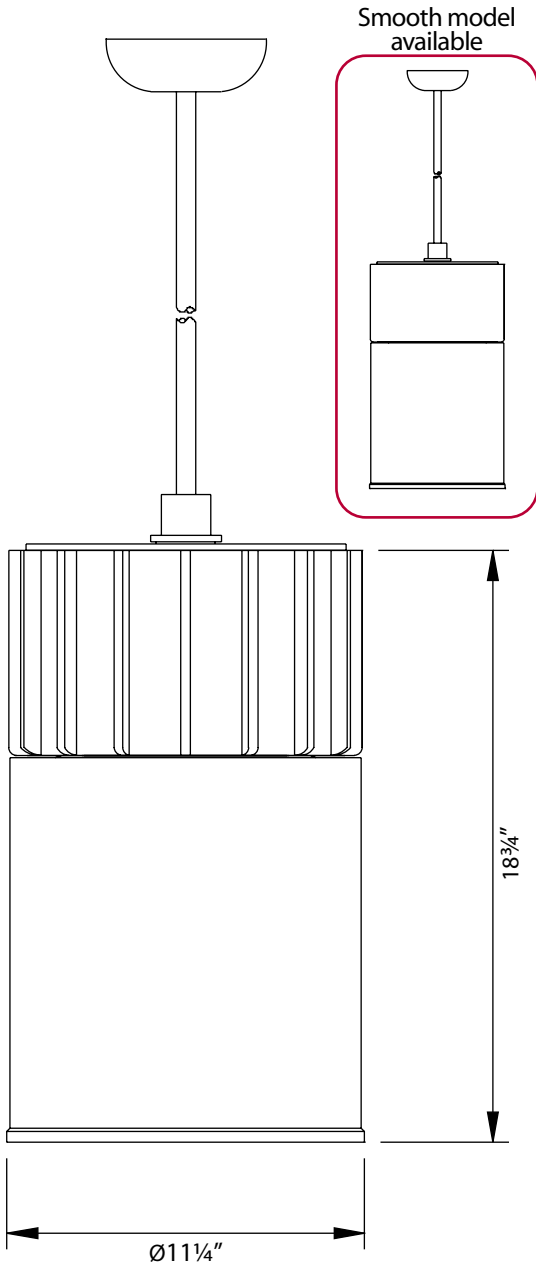




Diversified Architectural Lighting Inc.

939 Selkirk Ave., Pointe-Claire, Qc, Canada H9R 4S4
Tel : 514.693.2117 Fax : 514.693.2177

Project :	Agent :
Type :	Approved by :
Cat No :	Date :



DK11-P

dramatek series — Pendant —

Luminaire

Cast aluminum ballast housing is attached to spun aluminum cylindrical housing. Spun aluminum reflector is fastened to spun aluminum screw base refractor holder. Stem is inserted into female cast aluminum device and secured with a screw horizontally positioned. All lampholders are medium base rated 4KV c/w copper nickel plated screwshell. 250 Watt lampholders are mogul.

Optics

Anodized aluminum reflector offers optimal light distribution. Black multi-step baffle is installed at the bottom of the cylinder to ease glare. Reflector can be offered with a tilt to accentuate wall illumination. Optics can be modified with a prismatic lens, prismatic refractor or frosted lens. May be used with ED-17 or PAR 38 HID lamps.

Protection/Enclosure

These units are certified for indoor or outdoor use. Typically the luminaire is supplied with a black multi step baffle and a prismatic refractor. The cylinder can also be enclosed with a flat glass which can be prismatic, frosted or clear. The bottom can also be left open for interior use.

Electrical:

Standard metal halide and high-pressure sodium luminaires are supplied with core and coil CSA/UL listed ballasts. All ballasts are guaranteed for at least 2 years directly from the ballast manufacturer. Components are horizontally opposed for thermal reduction. All components are mounted on a single plate for easy maintenance.

Pulse start metal halide luminaires are supplied with standard uniform pulse start systems suitable for universal lamp mounting. All components are mounted on a single plate for easy maintenance. Pulse start systems are guaranteed directly from the manufacturer for a period of 5 years.

Compact fluorescent: All compact fluorescent luminaires are supplied with electronic ballasts. Consult factory for dimming ballast to match controls and ballasts. Where the luminaire uses multiple ballasts, the ballasts are mounted on a single plate and can be individually removed.

Model #	Mounting	HID(wattage)		CFL(wattage)	Voltage**		Color	Options
DK11 (ribbed)	P Pendant	70MH-PS*	70HPS	18DTT	TT tri-tap	MT multi-tap	CC -Custom Color ***	QRT -Quartz re-strike
DK11SH (Smooth housing)	Pxxx Specify stem length	100MH-PS*	100HPS	26DTT	120	120	BLK -Black	F -Fusing
		150MH-PS*	150HPS	32TRT	277	208	WHT -White	FG -Flat glass
		175MH-PS*		42TRT	347	240	SIL -Silver	PL -Prismatic flat glass
		250MH-PS*				277	BRZ -Bronze	FL -Frosted lens

*PS stands for pulse start
** Not all voltages are available for all lamp types
***Either supplying factory with a color chip or a RAL number can specify custom color. (Some custom colors will be subject to a small lot setup charge)

Ordering example:
DK11-P-100MH-PS-120-BRZ
This would order: Dramatek 11" pendant, 100W MH-PS, 120V painted bronze.