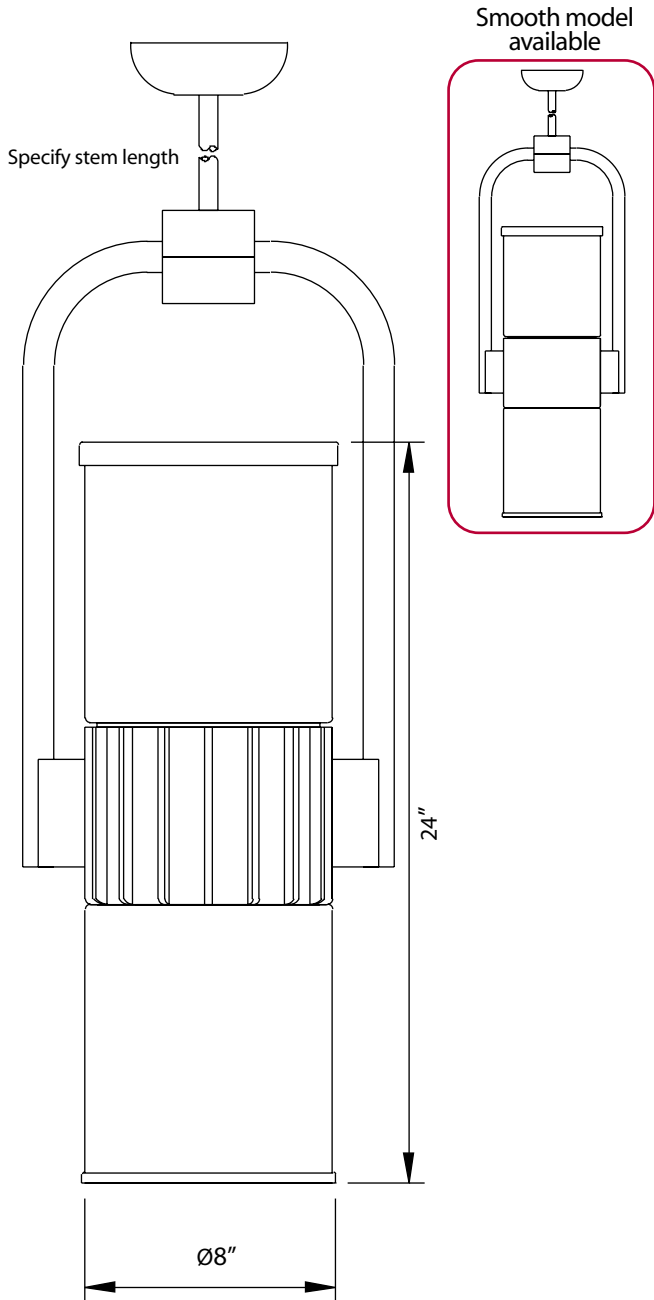




Diversified Architectural Lighting Inc.

939 Selkirk Ave., Pointe-Claire, Qc, Canada H9R 4S4
Tel : 514.693.2117 Fax : 514.693.2177

Project :	Agent :
Type :	Approved by :
Cat No :	Date :



DK8-PAD dramatek series Pendant with "U" bracket Up and Down

Luminaire

Cast aluminum ballast housing is attached to spun aluminum cylindrical housing in up and down positions. Spun aluminum reflector is fastened to spun aluminum screw base refractor holder. Two cast aluminum stem adapters are attached on each side of the ballast housing. A U-Tube is then attached to a straight stem and connected through another cast aluminum connector. All lampholders are medium base rated 4KV c/w copper nickel plated screwshell.

Optics

Anodized aluminum reflector offers optimal light distribution. Black multi-step baffle is installed at the bottom of the cylinder to ease glare. Optics can be modified with a prismatic lens, prismatic refractor or frosted lens. May be used with ED-17 or PAR 38 HID lamps.

Protection/Enclosure

These units are certified for indoor or outdoor use. Typically the luminaire is supplied with a black multi step baffle and a prismatic refractor on the bottom and a flat glass on top. The top flat glass is overlapping to avoid any water penetration. The cylinder can also be enclosed with a flat glass which can be prismatic, frosted or clear. The bottom can also be left open for interior use.

Electrical:

Standard metal halide and high-pressure sodium luminaires are supplied with core and coil CSA/UL listed ballasts. All ballasts are guaranteed for at least 2 years directly from the ballast manufacturer. Components are horizontally opposed for thermal reduction. All components are mounted on a single plate for easy maintenance.

Pulse start metal halide luminaires are supplied with standard uniform pulse start systems suitable for universal lamp mounting. All components are mounted on a single plate for easy maintenance. Pulse start systems are guaranteed directly from the manufacturer for a period of 5 years.

Compact fluorescent: All compact fluorescent luminaires are supplied with electronic ballasts. Consult factory for dimming ballast to match controls and ballasts. Where the luminaire uses multiple ballasts, the ballasts are mounted on a single plate and can be individually removed.

Model #	Mounting	HID(wattage)	CFL(wattage)	Voltage**		Color	Options
DK8 (ribbed)	PADxx Pendant with "U" bracket up and down	50MH-PS* 70MH-PS*	18DTT 26DTT 32TRT 42TRT	TT tri-tap	MT multi-tap	CC -Custom Color *** BLK -Black WHT -White SIL -Silver BRZ -Bronze	QRT -Quartz re-strike F -Fusing FG -Flat glass PL -Prismatic flat glass FL -Frosted lens
DK8SH (Smooth housing)	Pxx Specify stem length	Select wattages for down and up	Select wattages for down and up	120 277 347	120 208 240 277		

*PS stands for pulse start

** Not all voltages are available for all lamp types

***Either supplying factory with a color chip or a RAL number can specify custom color. (Some custom colors will be subject to a small lot setup charge)

Ordering example:

DK8-PAD-70MH-PS-70MH-PS-120-BRZ

This would order: Dramatek, 8" up and down pendant with "U" bracket, 70W MH-PS up, 70W MH-PS down, 120V painted bronze.

IMPORTANT NOTICE: WATTAGE COMBINATION FOR THE DK11-UAD IS LIMITED TO MEET THE ELECTRICAL REQUIREMENTS. MAXIMUM WATTAGE COMBINATION IS 2 x 70W H.I.D. PLEASE CONSULT FACTORY FOR ANY ADDITIONAL WATTAGE COMBINATIONS.