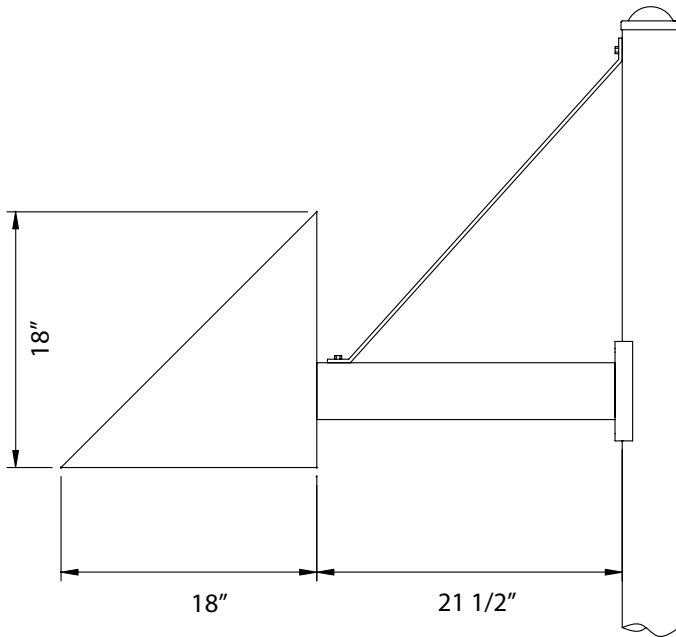




# Diversified Architectural Lighting Inc.

939 Selkirk Ave., Pointe-Claire, Qc, Canada H9R 4S4  
 Tel : 514.693.2117 Fax : 514.693.2177

Project :	Agent :
Type :	Approved by :
Cat No :	Date :



D3 mounting style

## DR-SPM/DPM

## drieick series

### Luminaire :

Three-sided, pyramid-shaped luminaire is fabricated from heavy wall aluminum sheet. Electrical components are placed on a single tray and positioned in the top portion of the housing. A specular aluminum reflector covers these components. A clear borosilicate tempered glass is sealed to the aluminum frame. The aluminum frame is hinged to the housing and secures with a captive screw.

### Mounting:

Pole mounted luminaires are available with a wide variety of arms. Please see the reverse page for more mounting options. Drieick series can also be wall mounted.

### Optics:

Specular aluminum reflector surrounds the lamp. Different IES type distributions available, contact factory for more information.

### Protection:

The glass is sealed to the frame and a memory retentive gasket is installed inside the lip where the door closes. For downlighting, the door frame is recessed into the housing; for upright the doorframe is mounted over and around the housing.

### Maintenance:

Hinged door design simplifies access to the lamp and ballast.

### Electrical:

Standard metal halide and high-pressure sodium luminaires are supplied with core and coil CSA / UI listed ballasts. All ballasts are guaranteed for at least 2 years directly from the ballast manufacturer. Components are horizontally opposed for thermal reduction. All components are mounted on a single plate for easy maintenance.

Pulse start metal halide luminaires are supplied with standard uniform pulse start systems suitable for vertical lamp mounting. All components are mounted on a single plate for easy maintenance. Pulse start systems are guaranteed directly from the manufacturer for a period of 5 years.

Compact fluorescent: All compact fluorescent luminaires are supplied with electronic ballasts. Consult factory for dimming ballast to match controls and ballasts. In the case where the luminaire uses multiple ballasts, the ballasts are mounted on a single plate and can be individually removed.

Model #	Mounting	Arms	HID(wattage)	CFL(wattage)	Voltage**	Color	Options
<b>DR</b>	<b>SPM</b> Single pole mount <b>DPM</b> Double pole mount	<b>D3</b> <b>D4</b>	<b>50MH-PS*</b> <b>50HPS</b>	<b>26DTT</b> <b>32TRT</b> <b>42TRT</b>	<b>TT</b> <b>MT</b> tri-tap   multi-tap <b>120</b> <b>120</b> <b>277</b> <b>208</b> <b>347</b> <b>240</b> <b>277</b>	<b>CC-Custom Color ***</b> <b>BLK-Black</b> <b>WHT-White</b> <b>SIL-Silver</b> <b>BRZ-Bronze</b>	<b>QRT-Quartz re-strike</b> <b>F-Fusing</b> <b>PC-Photocell</b>
			<b>70MH-PS*</b> <b>70HPS</b>				
			<b>100MH-PS*</b> <b>100HPS</b>				
			<b>150MH-PS*</b> <b>150HPS</b>				
			<b>175MH-PS*</b>				

\*PS stands for pulse start  
 \*\* Not all voltages are available for all lamp types  
 \*\*\*Either supplying factory with a color chip or a RAL number can specify custom color. (Some custom colors will be subject to a small lot setup charge)

Ordering example:  
 ADG-WMA-100MH-PS-120-BRZ  
 This would order: Art deco, wall mounted with arm, 100W MH-PS, 120V, painted bronze.