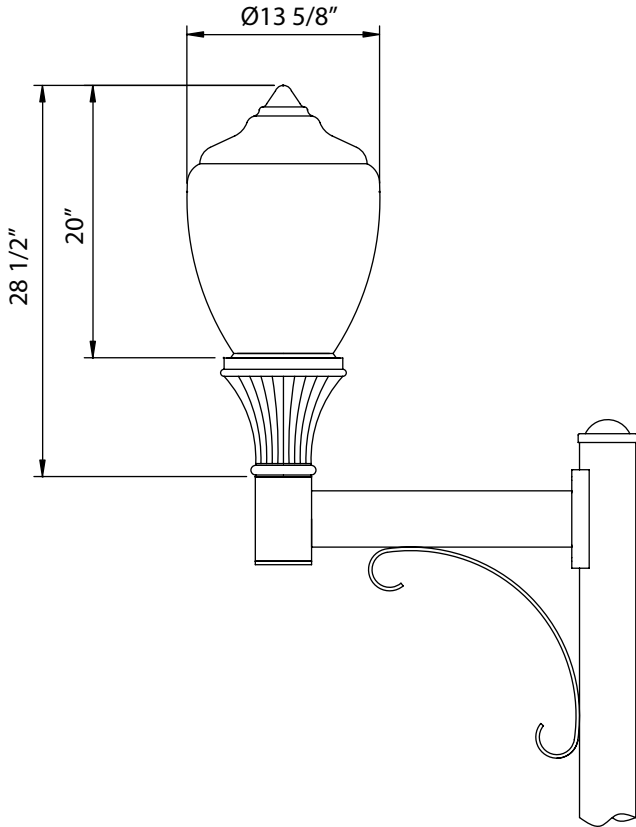




Diversified Architectural Lighting Inc.

939 Selkirk Ave., Pointe-Claire, Qc, Canada H9R 4S4
 Tel : 514.693.2117 Fax : 514.693.2177

Project :	Agent :
Type :	Approved by :
Cat No :	Date :



HS1-SPM
D7 MOUNTING STYLE

HS-SPM

heritage series

Luminaire:

Fluted ballast housing is fabricated of heavy duty one-piece cast aluminum. The acrylic or polycarbonate globe is mounted at the lip of the ballast housing and is secured with set screws. The socket and lamp are mounted on the plate covering the ballast assembly. A tempered glass refractor covers the lamp. Some models offer a painted aluminum spinning on top for a different look and better efficiency.

Mounting:

The heritage series is designed to be mounted on a post top application or with decorative side arms. See the front of this page for popular mounting options.

Optics:

Tempered glass refractor can offer type III or V distribution.

Protection:

The 1 piece globe is mounted into the lip of the ballast housing allowing no water or dust penetration. The ballast compartment is covered with an aluminum plate to meet UL/CSA requirements.

Maintenance:

Simply loosen the set screws and remove the globe to access the lamp and ballast compartment.

Electrical:

Standard metal halide and high-pressure sodium luminaires are supplied with core and coil CSA / UL listed ballasts. All ballasts are guaranteed for at least 2 years directly from the ballast manufacturer. Components are horizontally opposed for thermal reduction. All components are mounted on a single plate for easy maintenance.

Pulse start metal halide luminaires are supplied with standard uniform pulse start systems suitable for vertical lamp mounting. All components are mounted on a single plate for easy maintenance. Pulse start systems are guaranteed directly from the manufacturer for a period of 5 years.

Compact fluorescent: All compact fluorescent luminaires are supplied with electronic ballasts. Consult factory for dimming ballast to match controls and ballasts. In the case where the luminaire uses multiple ballasts, the ballasts are mounted on a single plate and can be individually removed.

Model #	Mounting	Arms	HID(wattage)	CFL(wattage)	Voltage**	Color	Options	
HS1	SPM single pole mount	D7	50MH-PS*	26DTT	TT tri-tap	CC-Custom Color ***	QRT-Quartz re-strike F-Fusing PC-Photocell	
HS2			70MH-PS*					MT multi-tap
HS3			100MH-PS*					120
HS4			150MH-PS*					208
			175MH-PS*		347			
					240			
					277			
					277			
						BLK-Black		
						WHT-White		
						SIL-Silver		
						BRZ-Bronze		

*PS stands for pulse start
 ** Not all voltages are available for all lamp types
 ***Either supplying factory with a color chip or a RAL number can specify custom color. (Some custom colors will be subject to a small lot setup charge)

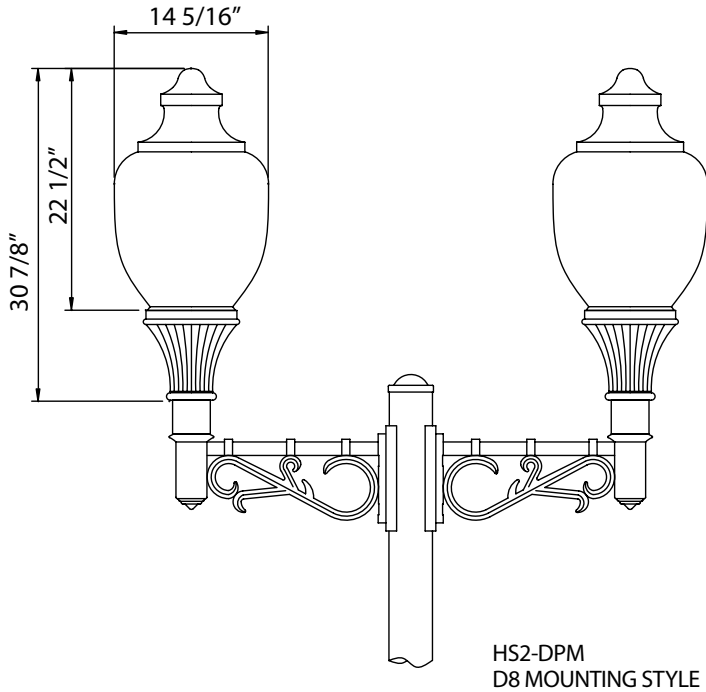
Ordering example:
 HS2-SPM-100MH-PS-120-BRZ
 This would order: Heritage series 2, single pole mount, 100W MH-PS, 120V, painted bronze.



Diversified Architectural Lighting Inc.

939 Selkirk Ave., Pointe-Claire, Qc, Canada H9R 4S4
 Tel : 514.693.2117 Fax : 514.693.2177

Project :	Agent :
Type :	Approved by :
Cat No :	Date :



HS-DPM heritage series

Luminaire:

Fluted ballast housing is fabricated of heavy duty one-piece cast aluminum. The acrylic or polycarbonate globe is mounted at the lip of the ballast housing and is secured with set screws. The socket and lamp are mounted on the plate covering the ballast assembly. A tempered glass refractor covers the lamp. Some models offer a painted aluminum spinning on top for a different look and better efficiency.

Mounting:

The heritage series is designed to be mounted on a post top application or with decorative side arms. See the front of this page for popular mounting options.

Optics:

Tempered glass refractor can offer type III or V distribution.

Protection:

The 1 piece globe is mounted into the lip of the ballast housing allowing no water or dust penetration. The ballast compartment is covered with an aluminum plate to meet UL/CSA requirements.

Maintenance:

Simply loosen the set screws and remove the globe to access the lamp and ballast compartment.

Electrical:

Standard metal halide and high-pressure sodium luminaires are supplied with core and coil CSA / UL listed ballasts. All ballasts are guaranteed for at least 2 years directly from the ballast manufacturer. Components are horizontally opposed for thermal reduction. All components are mounted on a single plate for easy maintenance.

Pulse start metal halide luminaires are supplied with standard uniform pulse start systems suitable for vertical lamp mounting. All components are mounted on a single plate for easy maintenance. Pulse start systems are guaranteed directly from the manufacturer for a period of 5 years.

Compact fluorescent: All compact fluorescent luminaires are supplied with electronic ballasts. Consult factory for dimming ballast to match controls and ballasts. In the case where the luminaire uses multiple ballasts, the ballasts are mounted on a single plate and can be individually removed.

Model #	Mounting	Arms	HID(wattage)	CFL(wattage)	Voltage**	Color	Options				
HS1	DPM double pole mount	D7	50MH-PS*	26DTT	TT tri-tap	CC-Custom Color ***	QRT-Quartz re-strike F-Fusing PC-Photocell				
HS2			70MH-PS*					70HPS	120	MT multi-tap	
HS3			100MH-PS*					100HPS	277	208	BLK-Black
HS4			150MH-PS*					150HPS	347	240	WHT-White
			175MH-PS*		277	SIL-Silver					
						BRZ-Bronze					

*PS stands for pulse start
 ** Not all voltages are available for all lamp types
 ***Either supplying factory with a color chip or a RAL number can specify custom color. (Some custom colors will be subject to a small lot setup charge)

Ordering example:
 HS2-DPM-100MH-PS-120-BRZ
 This would order: Heritage series 2, double pole mount, 100W MH-PS, 120V, painted bronze.