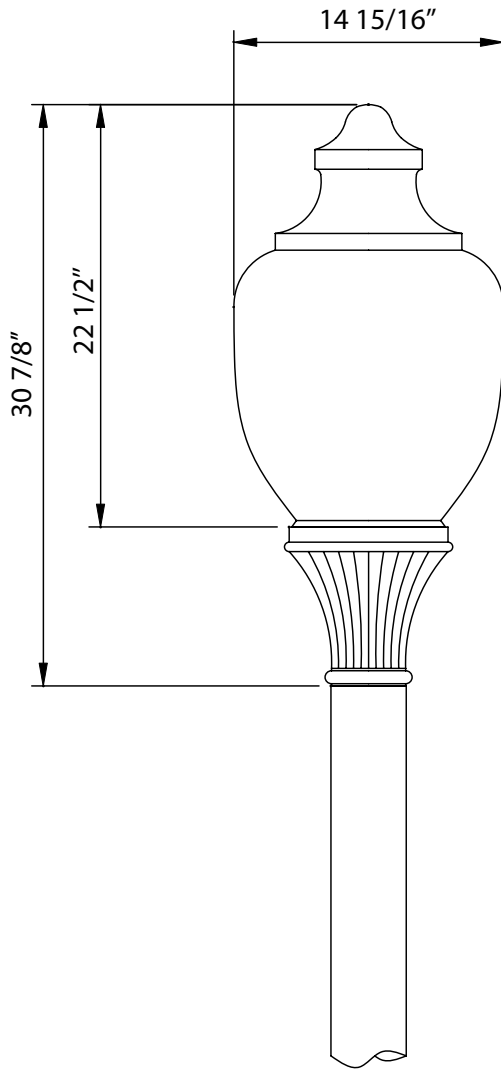




Diversified Architectural Lighting Inc.

939 Selkirk Ave., Pointe-Claire, Qc, Canada H9R 4S4
 Tel : 514.693.2117 Fax : 514.693.2177

Project :	Agent :
Type :	Approved by :
Cat No :	Date :



HS2-PT

HS-PT

heritage series

Luminaire:

Fluted ballast housing is fabricated of heavy duty one-piece cast aluminum. The acrylic or polycarbonate globe is mounted at the lip of the ballast housing and is secured with set screws. The socket and lamp are mounted on the plate covering the ballast assembly. A tempered glass refractor covers the lamp. Some models offer a painted aluminum spinning on top for a different look and better efficiency.

Mounting:

The heritage series is designed to be mounted on a post top application or with decorative side arms. See the front of this page for popular mounting options.

Optics:

Tempered glass refractor can offer type III or V distribution.

Protection:

The 1 piece globe is mounted into the lip of the ballast housing allowing no water or dust penetration. The ballast compartment is covered with an aluminum plate to meet UL/CSA requirements.

Maintenance:

Simply loosen the set screws and remove the globe to access the lamp and ballast compartment.

Electrical:

Standard metal halide and high-pressure sodium luminaires are supplied with core and coil CSA / UL listed ballasts. All ballasts are guaranteed for at least 2 years directly from the ballast manufacturer. Components are horizontally opposed for thermal reduction. All components are mounted on a single plate for easy maintenance.

Pulse start metal halide luminaires are supplied with standard uniform pulse start systems suitable for vertical lamp mounting. All components are mounted on a single plate for easy maintenance. Pulse start systems are guaranteed directly from the manufacturer for a period of 5 years.

Compact fluorescent: All compact fluorescent luminaires are supplied with electronic ballasts. Consult factory for dimming ballast to match controls and ballasts. In the case where the luminaire uses multiple ballasts, the ballasts are mounted on a single plate and can be individually removed.

Model #	Mounting	HID(wattage)	CFL(wattage)	Voltage**	Color	Options
HS1	PT post top	50MH-PS*	26DTT	TT	CC-Custom Color *** BLK-Black WHT-White SIL-Silver BRZ-Bronze	QRT-Quartz re-strike F-Fusing PC-Photocell
HS2		70MH-PS*		MT		
HS3		100MH-PS*		120		
HS4		150MH-PS*		208		
		175MH-PS*		347	240	
				277	277	

*PS stands for pulse start
 ** Not all voltages are available for all lamp types
 ***Either supplying factory with a color chip or a RAL number can specify custom color. (Some custom colors will be subject to a small lot setup charge)

Ordering example:
 HS2-PT-100MH-PS-120-BRZ
 This would order: Heritage series 2, post top, 100W MH-PS, 120V, painted bronze.