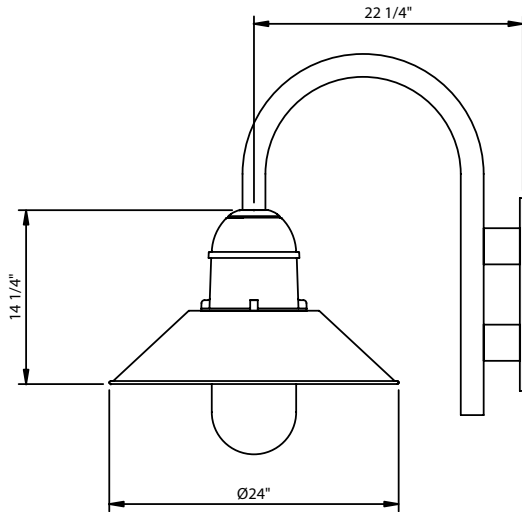




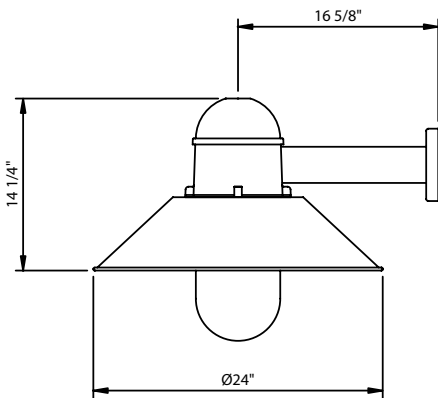
Diversified Architectural Lighting Inc.

939 Selkirk Ave., Pointe-Claire, Qc, Canada H9R 4S4
 Tel : 514.693.2117 Fax : 514.693.2177

Project :	Agent :
Type :	Approved by :
Cat No :	Date :



MS2-WMS



MS2-WMD

MS2-WMD/WMS

mansard series - Wall mount -

Luminaire

Ballast housing is fabricated of one piece heavy-duty cast aluminum. Borosilicate glass refractor is enclosed with a tamperproof clear polycarbonate globe. Spun aluminum shade is directly fastened to the housing.

Mounting

Cast aluminum canopy mounts onto a cast aluminum backplate, which is drilled into the wall around the junction box, and/or directly onto the junction box.

Optics

Borosilicate glass refractor is available in IES type III or type V distribution.

Protection

The luminaire is completely protected from water and dust. A threaded spun aluminum holder retains the tempered glass refractor. Cast aluminum ballast housing is sealed with a cast aluminum plate which is gasketed.

Maintenance

Direct access to the lamp by removing the globe.

Electrical

Standard metal halide and high-pressure sodium luminaires are supplied with core and coil CSA/UL listed ballasts. All ballasts are guaranteed for at least 2 years directly from the ballast manufacturer. Components are horizontally opposed for thermal reduction. All components are mounted on a single plate for easy maintenance.

Pulse start metal halide luminaires are supplied with standard uniform pulse start systems suitable for universal lamp mounting. All components are mounted on a single plate for easy maintenance. Pulse start systems are guaranteed directly from the manufacturer for a period of 5 years.

Compact fluorescent: All compact fluorescent luminaires are supplied with electronic ballasts. Consult factory for dimming ballast to match controls and ballasts. Where the luminaire uses multiple ballasts, the ballasts are mounted on a single plate and can be individually removed.

Model #	Mounting	HID(wattage)	CFL(wattage)	Voltage**	Color	Options	
MS2	WMD Wall mount down	70MH-PS*	50HPS	26DTT	TT tri-tap	CC -Custom Color *** BLK -Black WHT -White SIL -Silver BRZ -Bronze	
		100MH-PS*	70HPS				32TRT
	WMS Wall mounted with shepherd's hook	150MH-PS*	100HPS	42TRT	120		
		175MH-PS*	150HPS		277		
				208			
				347	240		
					277		

*PS stands for pulse start
 ** Not all voltages are available for all lamp types
 ***Either supplying factory with a color chip or a RAL number can specify custom color. (Some custom colors will be subject to a small lot setup charge)

Ordering example:
 MS2-WMD-100MH-PS-120-BRZ
 This would order: Mansard series 2, wall mounted down, 100W MH-PS, 120V, painted bronze.