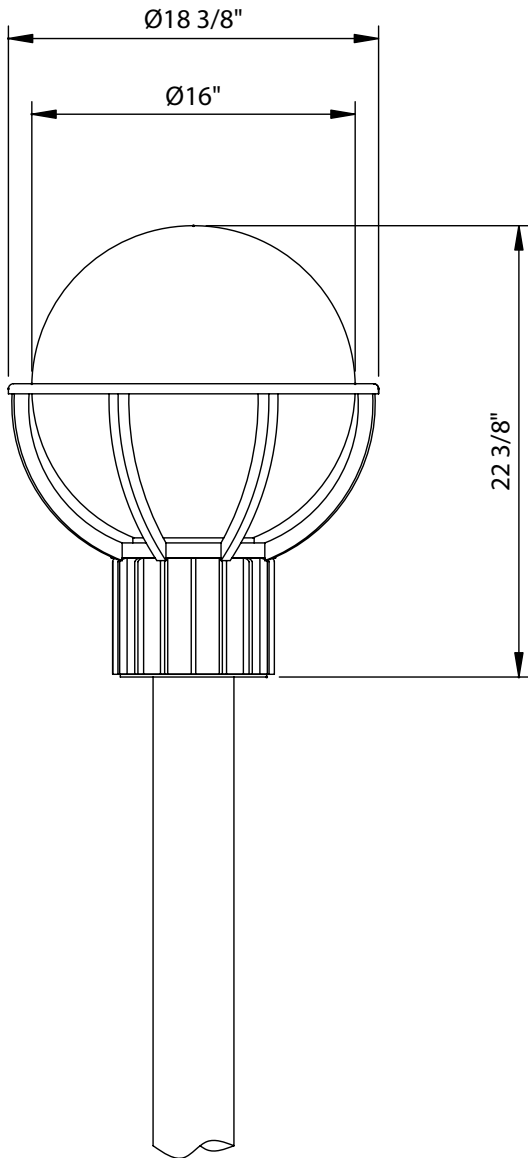




# Diversified Architectural Lighting Inc.

939 Selkirk Ave., Pointe-Claire, Qc, Canada H9R 4S4  
 Tel : 514.693.2117 Fax : 514.693.2177

Project :	Agent :
Type :	Approved by :
Cat No :	Date :



## OS-PT

## olympia series

### Luminaire:

Heavy duty cast aluminum ballast housing with heat sink ridges. One piece cast aluminum basket is fastened to the ballast housing. Opal globe twist-locks to the base. Lamp is vertically positioned inside the globe.

### Mounting:

Pole mounted luminaires are available with a wide variety of arms. Please see the reverse page for more mounting options. Olympia series can also be wall mounted.

### Protection:

The luminaire is completely sealed from water and dust penetration. All the electrical gear is in a separate compartment. The globe twist-locks over the base for a water and dust proof application. Polycarbonate globes are available for vandal prone areas.

### Maintenance:

The globe can twist-lock on and off for easy lamp maintenance.

### Electrical:

Standard metal halide and high-pressure sodium luminaires are supplied with core and coil CSA / UL listed ballasts. All ballasts are guaranteed for at least 2 years directly from the ballast manufacturer. Components are horizontally opposed for thermal reduction. All components are mounted on a single plate for easy maintenance.

Pulse start metal halide luminaires are supplied with standard uniform pulse start systems suitable for vertical lamp mounting. All components are mounted on a single plate for easy maintenance. Pulse start systems are guaranteed directly from the manufacturer for a period of 5 years.

Compact fluorescent: All compact fluorescent luminaires are supplied with electronic ballasts. Consult factory for dimming ballast to match controls and ballasts. In the case where the luminaire uses multiple ballasts, the ballasts are mounted on a single plate and can be individually removed.

Model #	Mounting	HID(wattage)		CFL(wattage)	Voltage**		Color	Options
<b>OS</b>	<b>PT</b> post top	<b>50MH-PS*</b>	<b>50HPS</b>	<b>26DTT</b> <b>32TRT</b> <b>42TRT</b>	<b>TT</b>	<b>MT</b>	<b>CC</b> -Custom Color *** <b>BLK</b> -Black <b>WHT</b> -White <b>SIL</b> -Silver <b>BRZ</b> -Bronze	<b>QRT</b> -Quartz re-strike <b>F</b> -Fusing <b>PC</b> -Photocell
		<b>70MH-PS*</b>	<b>70HPS</b>		tri-tap	multi-tap		
		<b>100MH-PS*</b>	<b>100HPS</b>		<b>120</b>	<b>120</b>		
		<b>175MH-PS*</b>	<b>150HPS</b>		<b>277</b>	<b>208</b>		
					<b>347</b>	<b>240</b>		
					<b>277</b>			

\*PS stands for pulse start  
 \*\* Not all voltages are available for all lamp types  
 \*\*\*Either supplying factory with a color chip or a RAL number can specify custom color. (Some custom colors will be subject to a small lot setup charge)

Ordering example:  
 OS-PT-100MH-PS-120-BRZ  
 This would order: Olympia post top, 100W MH-PS, 120V, painted bronze.