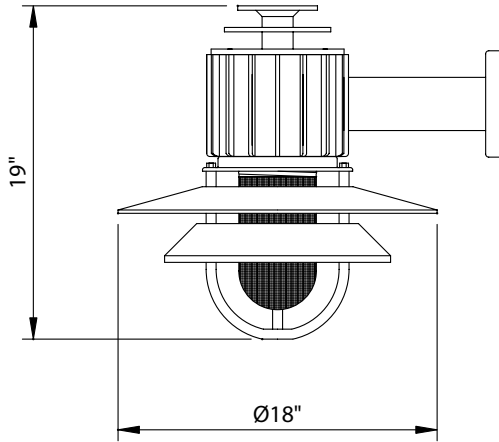




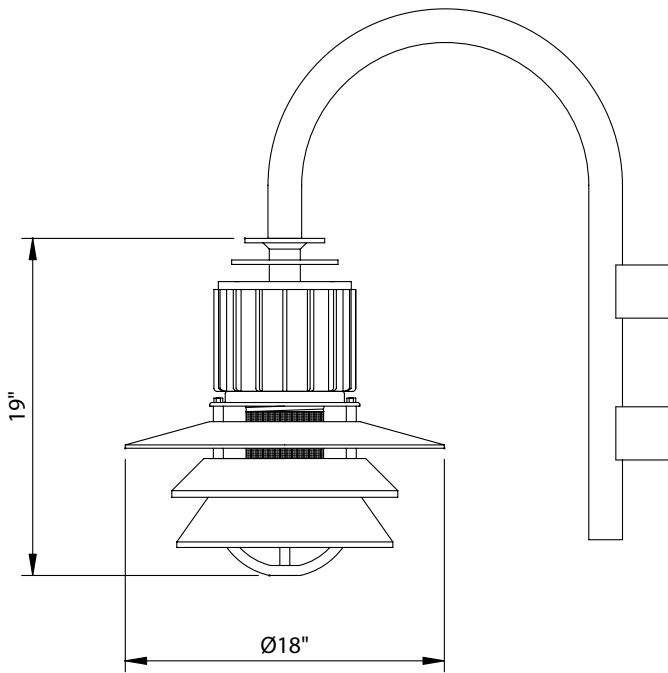
Diversified Architectural Lighting Inc.

939 Selkirk Ave., Pointe-Claire, Qc, Canada H9R 4S4
 Tel : 514.693.2117 Fax : 514.693.2177

Project :	Agent :
Type :	Approved by :
Cat No :	Date :



OR2-WMD



OR3-WMS

OR2 & OR3-WMD/WMS orbis series - Wall mount -

Luminaire

Ballast housing is fabricated of heavy duty cast aluminum with heat sink ridges. Top decorative fin is a separate cast aluminum piece. Cast aluminum glass guard is attached to the ballast housing. Two (OR2) or three (OR3) spun aluminum shades are fastened to the cast aluminum glass guard. Spun aluminum screw base refractor holder is attached to the ballast housing. Extruded aluminum arm is welded to cast aluminum wall mount canopy.

Mounting

Cast aluminum canopy mounts onto a cast aluminum backplate, which is drilled into the wall around the junction box, and/or directly onto the junction box.

Optics

Borosilicate tempered glass refractor encloses the lamp. IES type V distribution is standard.

Protection

The luminaire is completely protected from water and dust in the down orientation. A threaded spun aluminum holder overlaps the tempered glass refractor. Cast aluminum ballast housing is sealed with a cast aluminum plate which is gasketed.

Maintenance

Tool-free lamp maintenance with screw on refractor lens, removable through glass guard.

Electrical

Standard metal halide and high-pressure sodium luminaires are supplied with core and coil CSA/UL listed ballasts. All ballasts are guaranteed for at least 2 years directly from the ballast manufacturer. Components are horizontally opposed for thermal reduction. All components are mounted on a single plate for easy maintenance.

Pulse start metal halide luminaires are supplied with standard uniform pulse start systems suitable for universal lamp mounting. All components are mounted on a single plate for easy maintenance. Pulse start systems are guaranteed directly from the manufacturer for a period of 5 years.

Compact fluorescent: All compact fluorescent luminaires are supplied with electronic ballasts. Consult factory for dimming ballast to match controls and ballasts. Where the luminaire uses multiple ballasts, the ballasts are mounted on a single plate and can be individually removed.

Model #	Mounting	HID(wattage)		CFL(wattage)	Voltage**		Color	Options
OR2 Orbis 2	WMD Wall mount down	50MH-PS*	50HPS	18DTT	TT	MT	CC -Custom Color *** BLK -Black WHT -White SIL -Silver BRZ -Bronze	QRT -Quartz re-strike F -Fusing PC -Photocell
		70MH-PS*	70HPS	26DTT	tri-tap	multi-tap		
OR3 Orbis 3	WMS Wall mounted with shepherd's hook	100MH-PS*	100HPS	32TRT	120	120		
		150MH-PS*	150HPS	42TRT	277	208		
		175MH-PS*			347	240		
						277		

*PS stands for pulse start
 ** Not all voltages are available for all lamp types
 ***Either supplying factory with a color chip or a RAL number can specify custom color. (Some custom colors will be subject to a small lot setup charge)

Ordering example:
 OR2-WMD-50MH-PS-120-BRZ
 This would order: Orbis 2, wall mounted down, 50W MH-PS, 120V, painted bronze.