



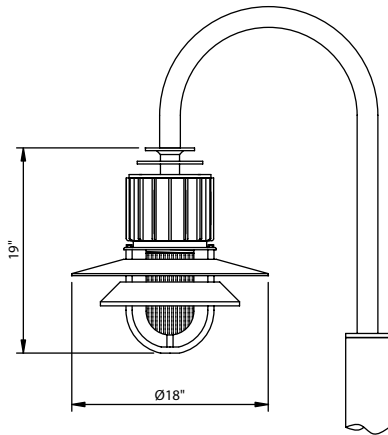
# Diversified Architectural Lighting Inc.

939 Selkirk Ave., Pointe-Claire, Qc, Canada H9R 4S4  
 Tel : 514.693.2117 Fax : 514.693.2177

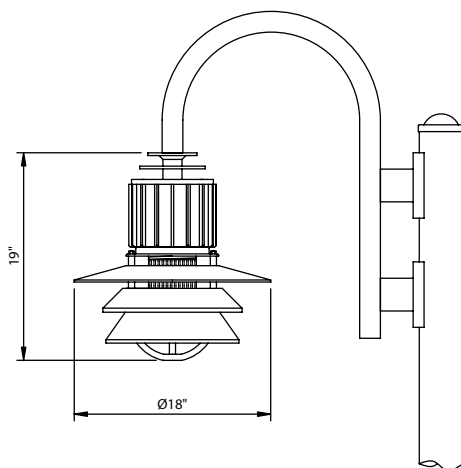
Project :	Agent :
Type :	Approved by :
Cat No :	Date :

## OR2 & OR3 -SPM / DPM

orbis series  
 — Pole mount —



OR2-SPM D1 MOUNTING STYLE



OR3-SPM D2 MOUNTING STYLE

### Luminaire

Ballast housing is fabricated of heavy duty cast aluminum with heat sink ridges. Top decorative fin is a separate cast aluminum piece. Cast aluminum glass guard is attached to the ballast housing. Two (OR2) or three (OR3) spun aluminum shades are fastened to the cast aluminum glass guard. Spun aluminum screw base refractor holder is attached to the ballast housing.

### Mounting

Pole mounted luminaires are available with a wide variety of arms. Please see the "Bases, poles and mountings" page for some mounting options.

### Optics

Tempered prismatic glass refractor encloses lamp. House side shield available to direct light.

### Protection

The luminaire is completely protected from water and dust in the down orientation. A threaded spun aluminum holder overlaps the tempered glass refractor. Cast aluminum ballast housing is sealed with a cast aluminum plate which is gasketed.

### Maintenance

Tool-free lamp maintenance with screw on refractor lens, removable through glass guard.

### Electrical

Standard metal halide and high-pressure sodium luminaires are supplied with core and coil CSA/UL listed ballasts. All ballasts are guaranteed for at least 2 years directly from the ballast manufacturer. Components are horizontally opposed for thermal reduction. All components are mounted on a single plate for easy maintenance.

Pulse start metal halide luminaires are supplied with standard uniform pulse start systems suitable for universal lamp mounting. All components are mounted on a single plate for easy maintenance. Pulse start systems are guaranteed directly from the manufacturer for a period of 5 years.

Compact fluorescent: All compact fluorescent luminaires are supplied with electronic ballasts. Consult factory for dimming ballast to match controls and ballasts. Where the luminaire uses multiple ballasts, the ballasts are mounted on a single plate and can be individually removed.

Model #	Mounting	Arms	HID(wattage)	CFL(wattage)	Voltage**	Color	Options
OR2 OR3	SPM Single pole mount	D1	50MH-PS* 50HPS	18DTT	TT tri-tap	CC-Custom Color ***	QRT-Quartz re-strike F-Fusing PC-Photocell
		D2	70MH-PS* 70HPS	26DTT	MT multi-tap	BLK-Black	
		D3	100MH-PS* 100HPS	32TRT	120 120	WHT-White	
	DPM Double pole mount	D4	150MH-PS* 150HPS	42TRT	277 208	SIL-Silver	
		D5	175MH-PS*		347 240	BRZ-Bronze	
		D6			277		

\*PS stands for pulse start  
 \*\* Not all voltages are available for all lamp types  
 \*\*\*Either supplying factory with a color chip or a RAL number can specify custom color. (Some custom colors will be subject to a small lot setup charge)

Ordering example:  
 OR3-SPM-D1-100MH-PS-120-BRZ  
 This would order: Orbis series 3, single pole mount with D1 arm, 100W MH-PS, 120V, painted bronze.