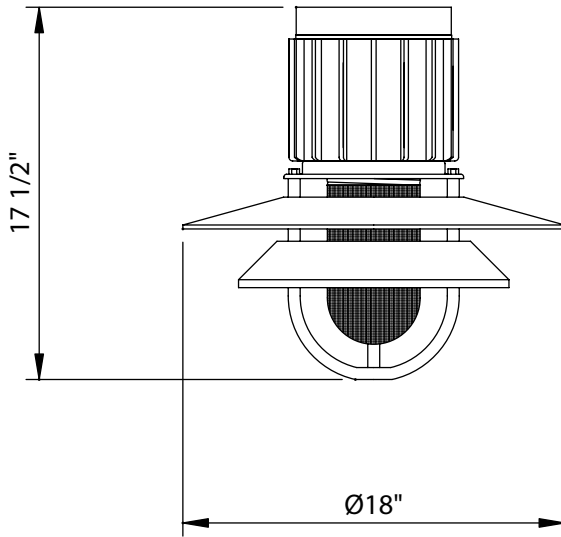




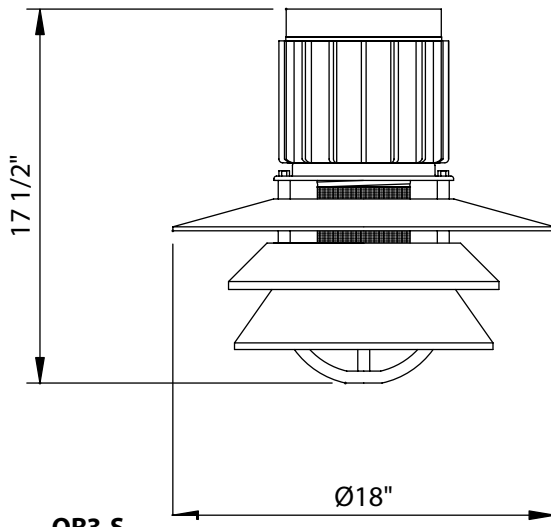
Diversified Architectural Lighting Inc.

939 Selkirk Ave., Pointe-Claire, Qc, Canada H9R 4S4
 Tel : 514.693.2117 Fax : 514.693.2177

Project :	Agent :
Type :	Approved by :
Cat No :	Date :



OR2-S



OR3-S

OR2-S / OR3-S

orbis series - Surface -

Luminaire

Ballast housing is fabricated of heavy-duty cast aluminum with heat sink ridges. A top decorative fin is a separate cast aluminum piece. Cast aluminum surface mounting adapter is fixed to the luminaire and twist locks into the cast aluminum ceiling canopy. 1/2" cast aluminum glass guard holds two (OR2) or three (OR3) 1/8" spun aluminum shades.

Mounting

Cast aluminum canopy mounts onto a cast aluminum backplate, which is drilled into the wall around the junction box, and/or directly onto the junction box.

Optics

Tempered prismatic glass refractor encloses lamp.

Protection

The luminaire is completely protected from water and dust. A threaded spun aluminum holder overlaps the tempered glass refractor. Cast aluminum ballast housing is sealed with a cast aluminum plate which is gasketed.

Maintenance

Tool-free lamp maintenance with screw on refractor lens, removable trough glass guard.

Electrical

Standard metal halide and high-pressure sodium luminaires are supplied with core and coil CSA/UL listed ballasts. All ballasts are guaranteed for at least 2 years directly from the ballast manufacturer. Components are horizontally opposed for thermal reduction. All components are mounted on a single plate for easy maintenance.

Pulse start metal halide luminaires are supplied with standard uniform pulse start systems suitable for universal lamp mounting. All components are mounted on a single plate for easy maintenance. Pulse start systems are guaranteed directly from the manufacturer for a period of 5 years.

Compact fluorescent: All compact fluorescent luminaires are supplied with electronic ballasts. Consult factory for dimming ballast to match controls and ballasts. Where the luminaire uses multiple ballasts, the ballasts are mounted on a single plate and can be individually removed.

Model #	Mounting	HID(wattage)	CFL(wattage)	Voltage**	Color	Options
OR2 Orbis 2	S Surface	50MH-PS* 50HPS 70MH-PS* 70HPS	18DTT 26DTT 32TRT 42TRT	TT MT tri-tap multi-tap 120 120 277 208 347 240 277	CC -Custom Color *** BLK -Black WHT -White SIL -Silver BRZ -Bronze	QRT -Quartz re-strike F -Fusing
OR3 Orbis 3						

*PS stands for pulse start
 ** Not all voltages are available for all lamp types
 ***Either supplying factory with a color chip or a RAL number can specify custom color. (Some custom colors will be subject to a small lot setup charge)

Ordering example:
 OR3-S-50MH-PS-120-BRZ
 This would order: Orbis surface series 3, 50W MH-PS, 120V, painted bronze.