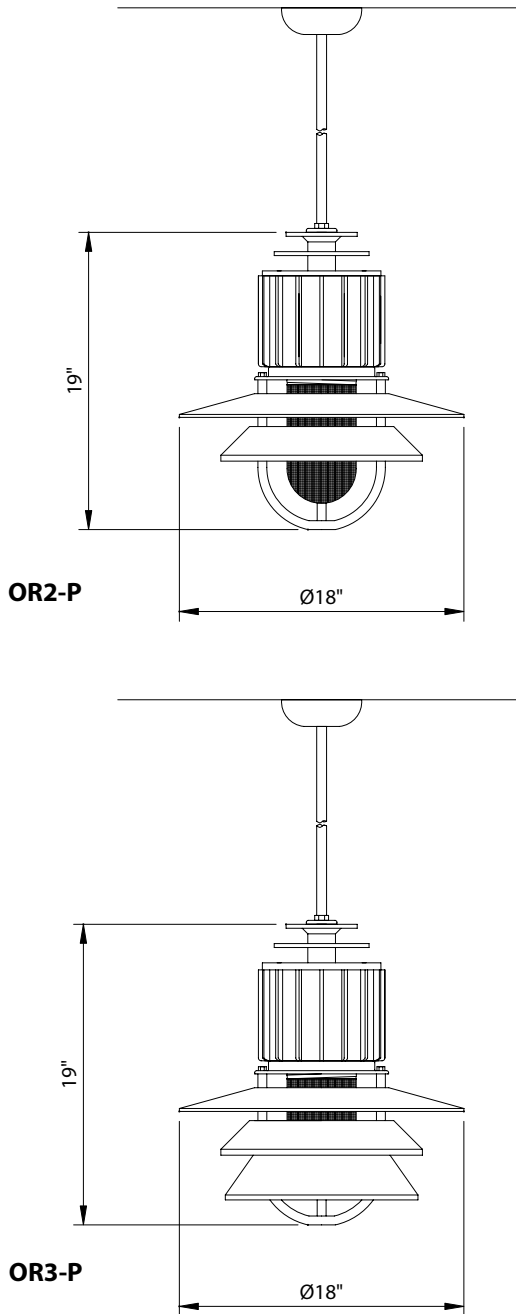




Diversified Architectural Lighting Inc.

939 Selkirk Ave., Pointe-Claire, Qc, Canada H9R 4S4
 Tel : 514.693.2117 Fax : 514.693.2177

Project :	Agent :
Type :	Approved by :
Cat No :	Date :



OR2-P / OR3-P

orbis series — Pendant —

Luminaire

Ballast housing is fabricated of heavy-duty cast aluminum with heat sink ridges. A top decorative fin is a separate cast aluminum piece. Stem is inserted into female cast aluminum device and secured with a screw horizontally positioned. 1/2" cast aluminum glass guard holds two (OR2) or three (OR3) 1/8" spun aluminum shades.

Mounting

Luminaire includes stem, canopy and ceiling bracket. The bracket is simply fastened to the ceiling or junction box and the ball slides into its appropriate area. It is then secured with a set screw. Regular stem can hang straight with a sloped ceiling up to 30 degrees.

Optics

Tempered prismatic glass refractor encloses lamp.

Protection

The luminaire is completely protected from water and dust. A threaded spun aluminum holder overlaps the tempered glass refractor. Cast aluminum ballast housing is sealed with a cast aluminum plate which is gasketed.

Maintenance

Tool-free lamp maintenance with screw on refractor lens, removable through glass guard.

Electrical

Standard metal halide and high-pressure sodium luminaires are supplied with core and coil CSA/UL listed ballasts. All ballasts are guaranteed for at least 2 years directly from the ballast manufacturer. Components are horizontally opposed for thermal reduction. All components are mounted on a single plate for easy maintenance.

Pulse start metal halide luminaires are supplied with standard uniform pulse start systems suitable for universal lamp mounting. All components are mounted on a single plate for easy maintenance. Pulse start systems are guaranteed directly from the manufacturer for a period of 5 years.

Compact fluorescent: All compact fluorescent luminaires are supplied with electronic ballasts. Consult factory for dimming ballast to match controls and ballasts. Where the luminaire uses multiple ballasts, the ballasts are mounted on a single plate and can be individually removed.

Model #	Mounting	HID(wattage)		CFL(wattage)	Voltage**		Color	Options
OR2 Orbis 2	Pxx Pendant	50MH-PS*	50HPS	18DTT	TT	MT	CC -Custom Color ***	QRT -Quartz re-strike F -Fusing
		70MH-PS*	70HPS	26DTT	tri-tap	multi-tap		
OR3 Orbis 3	Specify stem length	100MH-PS*	100HPS	32TRT	120	120	BLK -Black	
		150MH-PS*	150HPS	42TRT	277	208	WHT -White	
		175MH-PS*			347	240	SIL -Silver	
						277	BRZ -Bronze	

*PS stands for pulse start
 ** Not all voltages are available for all lamp types
 ***Either supplying factory with a color chip or a RAL number can specify custom color. (Some custom colors will be subject to a small lot setup charge)

Ordering example:
 OR2-P36-100MH-PS-120-BRZ
 This would order: Orbis series 2, pendant with a 36" stem, 100W MH-PS, 120V, painted bronze.