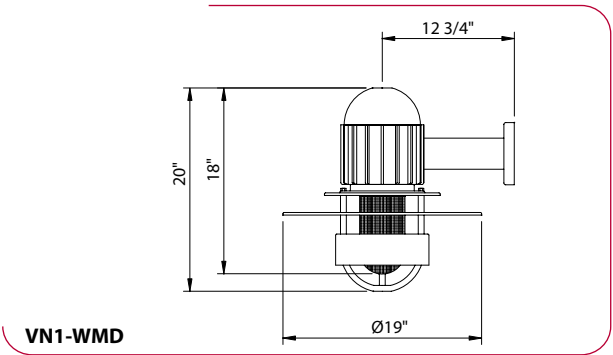




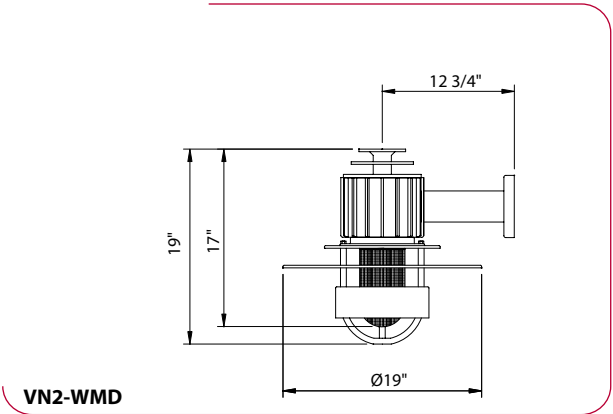
Diversified Architectural Lighting Inc.

939 Selkirk Ave., Pointe-Claire, Qc, Canada H9R 4S4
Tel : 514.693.2117 Fax : 514.693.2177

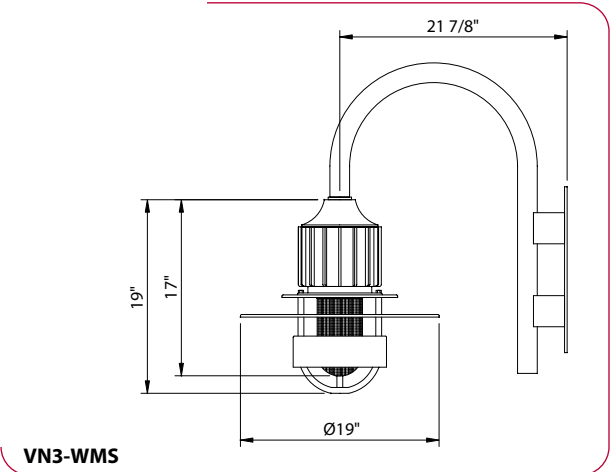
Project :	Agent :
Type :	Approved by :
Cat No :	Date :



VN1-WMD



VN2-WMD



VN3-WMS

VN1/VN2/VN3 WMD/WMS vision series

Luminaire:

Ballast housing is fabricated of heavy-duty cast aluminum with heat sink ridges. A top decorative fin or dome is a separate cast aluminum piece. 1/2" cast aluminum glass guard holds a spun aluminum disc and a spun aluminum glare guard.

Mounting:

Cast aluminum canopy mounts onto a cast aluminum backplate, which is drilled into the wall around the junction box, and/or directly onto the junction box.

Optics:

Tempered prismatic glass refractor encloses lamp.

Protection:

The luminaire is completely protected from water and dust penetration. A threaded spun aluminum holder overlaps the tempered glass refractor. Cast aluminum ballast housing is sealed with a cast aluminum plate which is gasketed.

Maintenance:

Tool-free lamp maintenance with screw on refractor lens, removable through glass guard.

Electrical:

Standard metal halide and high-pressure sodium luminaires are supplied with core and coil CSA / UL listed ballasts. All ballasts are guaranteed for at least 2 years directly from the ballast manufacturer. Components are horizontally opposed for thermal reduction. All components are mounted on a single plate for easy maintenance.

Pulse start metal halide luminaires are supplied with standard uniform pulse start systems suitable for vertical lamp mounting. All components are mounted on a single plate for easy maintenance. Pulse start systems are guaranteed directly from the manufacturer for a period of 5 years.

Compact fluorescent: All compact fluorescent luminaires are supplied with electronic ballasts. Consult factory for dimming ballast to match controls and ballasts. In the case where the luminaire uses multiple ballasts, the ballasts are mounted on a single plate and can be individually removed.

Model #	Mounting	HID(wattage)	CFL(wattage)	Voltage**	Color	Options		
VN1	WMD Wall mounted down (straight arm)	50MH-PS*	50HPS	26DTT	TT tri-tap	CC-Custom Color***		
VN2		70MH-PS*	70HPS				MT multi-tap	QRT-Quartz re-strike F-Fusing PC-Photocell
VN3		100MH-PS*	100HPS				120	
	150MH-PS*	150HPS	277					
	WMS Wall mounted with shepherd's hook	175MH-PS*	150HPS		208			
					347			
					240			
					277			
						BRZ-Bronze		

*PS stands for pulse start
** Not all voltages are available for all lamp types
***Either supplying factory with a color chip or a RAL number can specify custom color. (Some custom colors will be subject to a small lot setup charge)

Ordering example:
VN3-WMD-D3-AL-100MH-PS-120-BRZ
This would order: Vision 3, wall mounted, D3 mounting style, 100W MH pulse start, 120V, painted bronze.