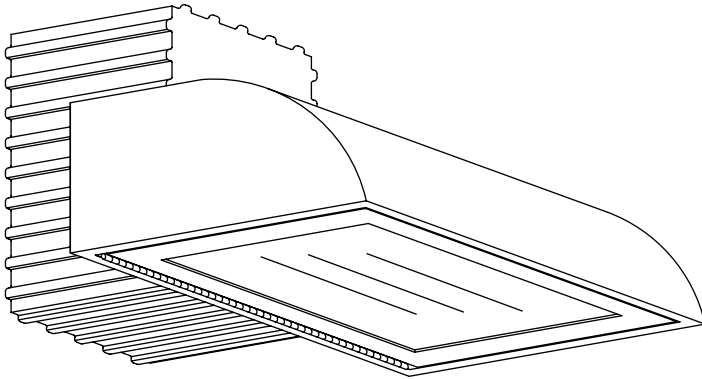




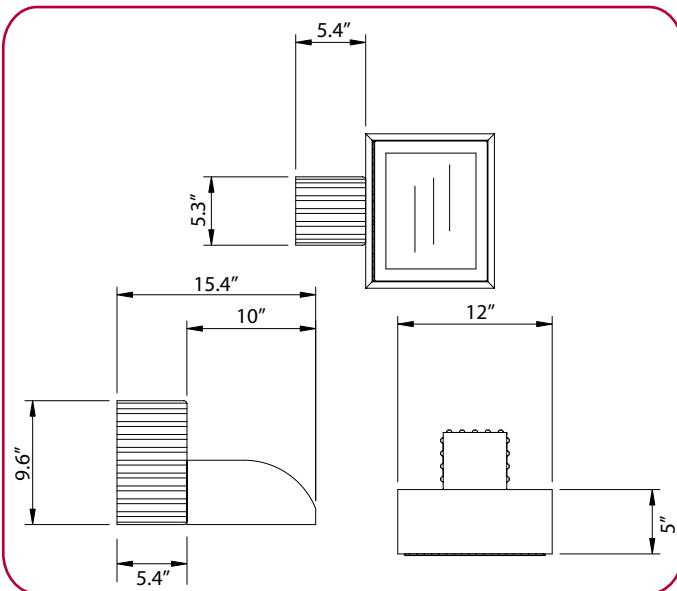
# Diversified Architectural Lighting Inc.

939 Selkirk Ave., Pointe-Claire, Qc, Canada H9R 4S4  
 Tel : 514.693.2117 Fax : 514.693.2177

Project :	Agent :
Type :	Approved by :
Cat No :	Date :



up or down  
models available



## WA3

## wall art series

— Wall mount —

### Housing

Heavy duty cast aluminum ballast housing. Horizontal ridges serve both aesthetical and heat sink properties. Back of the housing hooks on directly to the wall mount canopy and is protected from dust and water penetration by an internal ballast cover.

### Mounting

Ballast housing mounts onto a cast aluminum backplate, which is drilled into the wall around the junction box, and/or directly onto the junction box. Fixture can be mounted up or down (please specify the proper orientation as this will change the design).

### Optics

Polished anodized aluminum reflector maximizes light output. Luminaire provides full horizontal cutoff and a variety of different IES type distributions. Consult factory for more information on optics.

### Protection

The luminaire is completely protected from water and dust. The tempered glass lens is permanently sealed to lens frame. The doorframe is regressed into the lamp housing.

### Maintenance

Hinged door is easily released for a quick access to the lamp. Ballast can be removed by releasing a setscrew and accessing the rear of the housing.

### Electrical

Standard metal halide and high-pressure sodium luminaires are supplied with core and coil CSA / UL listed ballasts. All ballasts are guaranteed for at least 2 years directly from the ballast manufacturer. All components are mounted on a single plate for easy maintenance.

Pulse start metal halide luminaires are supplied with standard uniform pulse start systems suitable for vertical lamp mounting. Pulse start systems are guaranteed directly from the manufacturer for a period of 5 years.

Compact fluorescent: All compact fluorescent luminaires are supplied with electronic ballasts. Consult factory for dimming ballast to match controls and ballasts. In the case where the luminaire uses multiple ballasts, the ballasts are mounted on a single plate and can be individually removed.

Model #	Mounting	HID(wattage)		CFL(wattage)	Voltage**		Color	Options
WA3	WMD Wall mounted down	50MH-PS*	50HPS	18DTT	TT tri-tap	MT multi-tap	CC-Custom Color *** BLK-Black WHT-White SIL-Silver BRZ-Bronze	QRT-Quartz re-strike F-Fusing PC-Photocell
		70MH-PS*	70HPS	26DTT	120	120		
	WMU Wall mounted up	100MH-PS*	100HPS	32TRT	277	208		
		150MH-PS*	150HPS	42TRT	347	240		
		175MH-PS*				277		

\* PS stands for pulse start  
 \*\* Not all voltages are available for all lamp types  
 \*\*\*Either supplying factory with a color chip or a RAL number can specify custom color. (Some custom colors will be subject to a small lot setup charge)

Ordering example:  
 WA3-WMD-100MH-PS-120-BRZ  
 This would order: WallArt series 3, wall mounted down, 100W MH-PS, 120V, painted bronze.