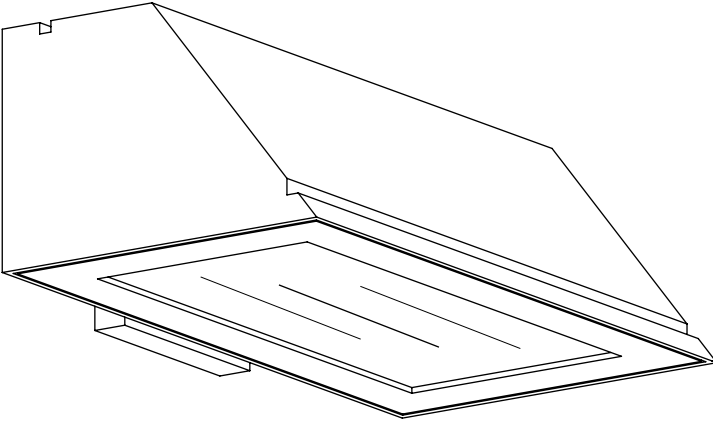




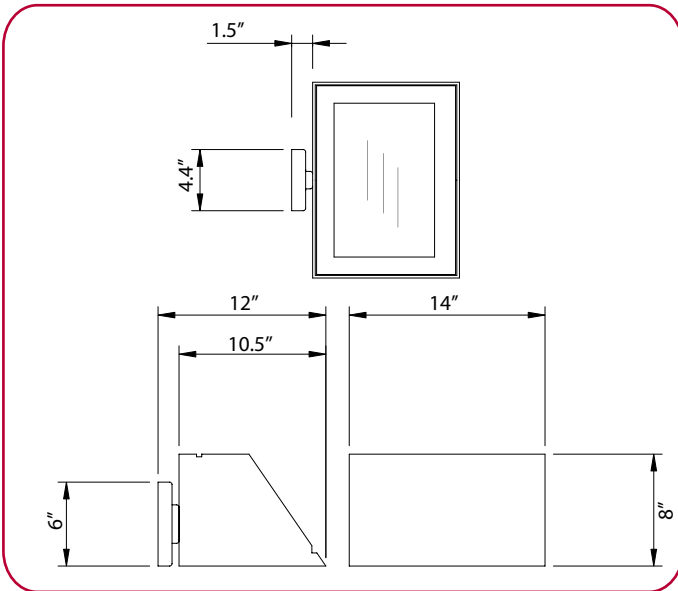
Diversified Architectural Lighting Inc.

939 Selkirk Ave., Pointe-Claire, Qc, Canada H9R 4S4
 Tel : 514.693.2117 Fax : 514.693.2177

Project :	Agent :
Type :	Approved by :
Cat No :	Date :



up or down
models available



WA4

wall art series

— Wall mount —

Housing

Heavy duty cast aluminum one-piece housing. Doorframe is also cast aluminum. Ballast is integral to housing, all electrical components mounted on a single plate.

Mounting

Canopy is seamlessly welded to the back of the luminaire for wall mounting. Fixture can also be provided with drilled holes to mount flush to the wall (see options).

Optics

Polished anodized aluminum reflector maximizes light output. Luminaire provides full horizontal cutoff and a variety of different IES type distributions. Consult factory for more information on optics.

Protection

The luminaire is completely protected from water and dust. The tempered glass lens is permanently sealed to lens frame. The doorframe is regressed into the lamp housing.

Maintenance

Door is easily removed for a quick access to the lamp. Ballast can be removed by releasing a setscrew and accessing the rear of the housing.

Electrical

Standard metal halide and high-pressure sodium luminaires are supplied with core and coil CSA / UI listed ballasts. All ballasts are guaranteed for at least 2 years directly from the ballast manufacturer. All components are mounted on a single plate for easy maintenance.

Pulse start metal halide luminaires are supplied with standard uniform pulse start systems suitable for vertical lamp mounting. Pulse start systems are guaranteed directly from the manufacturer for a period of 5 years.

Compact fluorescent: All compact fluorescent luminaires are supplied with electronic ballasts. Consult factory for dimming ballast to match controls and ballasts. In the case where the luminaire uses multiple ballasts, the ballasts are mounted on a single plate and can be individually removed.

Model #	Mounting	HID(wattage)		CFL(wattage)	Voltage**		Color	Options
WA4	WMD Wall mounted down	50MH-PS*	50HPS	1 or 2x18DTT	TT	MT	CC -Custom Color *** BLK -Black WHT -White SIL -Silver BRZ -Bronze	QRT -Quartz re-strike F -Fusing PC -Photocell EM -Emergency pack
		70MH-PS*	70HPS		1 or 2x26DTT	tri-tap		
	WMU Wall mounted up	100MH-PS*	100HPS	1 or 2x32TRT	120	120		
		150MH-PS*	150HPS		277	208		
		175MH-PS*			347	240		
					277			

* PS stands for pulse start
 ** Not all voltages are available for all lamp types
 ***Either supplying factory with a color chip or a RAL number can specify custom color. (Some custom colors will be subject to a small lot setup charge)
 Order example:
 WA4-WMD-100MH-PS-120-BRZ
 This would order: WallArt series 4, wall mounted down, 100W MH-PS, 120V, painted bronze.