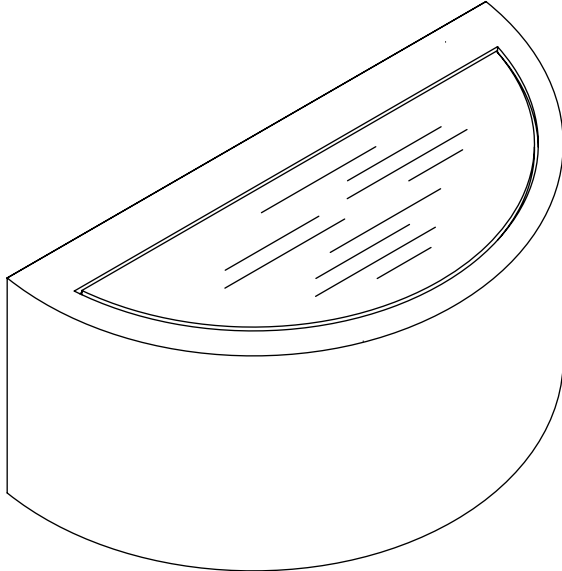




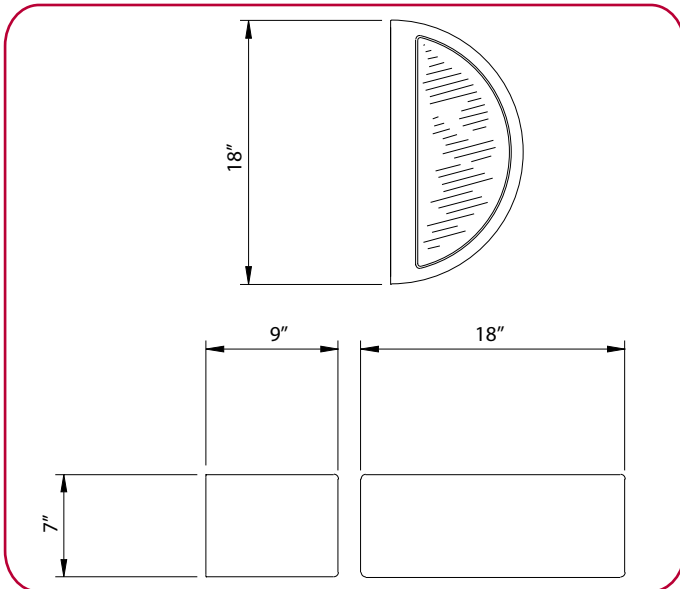
# Diversified Architectural Lighting Inc.

939 Selkirk Ave., Pointe-Claire, Qc, Canada H9R 4S4  
 Tel : 514.693.2117 Fax : 514.693.2177

Project :	Agent :
Type :	Approved by :
Cat No :	Date :



uplighting only,  
 downlighting only,  
 uplighting and downlighting models available



## WA8

## wall art series

— Wall mount —

### Housing

Heavy duty cast aluminum one piece housing with vertical opening designed to allow uplight, downlight or up and downlight lighting distributions. In all cases the flat glass lense is permanently sealed to the housing cast aluminum backplate.

### Mounting

Cast aluminum backplate supporting ballast, lampholder and optics hardware mounts directly to a flush mounted outlet box. The housing is attached to the backplate via set screws.

### Optics

Polished anodized aluminum reflector maximizes light output. Luminaire provides full horizontal cutoff and a variety of different IES type distributions. Consult factory for more information on optics.

### Protection

The luminaire is completely protected from water and dust. The tempered flat glass lens is permanently sealed to the lamp housing.

### Maintenance

Ballast can be easily accessed by removing the outer housing by loosening the set screws and removing the reflector. The ballast is mounted on the backplate fixed to the wall.

### Electrical

Standard metal halide and high-pressure sodium luminaires are supplied with core and coil CSA / UI listed ballasts. All ballasts are guaranteed for at least 2 years directly from the ballast manufacturer. All components are mounted on a single plate for easy maintenance.

Pulse start metal halide luminaires are supplied with standard uniform pulse start systems suitable for vertical lamp mounting. Pulse start systems are guaranteed directly from the manufacturer for a period of 5 years.

Compact fluorescent: All compact fluorescent luminaires are supplied with electronic ballasts. Consult factory for dimming ballast to match controls and ballasts. In the case where the luminaire uses multiple ballasts, the ballasts are mounted on a single plate and can be individually removed.

Model #	Mounting	HID(wattage)		CFL(wattage)	Voltage**		Color	Options
WA8	<b>WMD</b> Wall mounted down	<b>50MH-PS*</b>	<b>50HPS</b>	<b>1 or 2x18DTT</b> <b>1 or 2x26DTT</b>	<b>TT</b> tri-tap	<b>MT</b> multi-tap	<b>CC</b> -Custom Color *** <b>BLK</b> -Black <b>WHT</b> -White <b>SIL</b> -Silver <b>BRZ</b> -Bronze	<b>QRT</b> -Quartz re-strike <b>F</b> -Fusing <b>PC</b> -Photocell
	<b>WMU</b> Wall mounted up	<b>70MH-PS*</b>	<b>70HPS</b>		<b>120</b>	<b>120</b>		
	<b>UAD</b> Wall mounted up and down - 1 lamp	<b>100MH-PS*</b>	<b>100HPS</b>	<b>1 or 2x32TRT</b> <b>1 or 2x42TRT</b>	<b>277</b>	<b>208</b>		
		<b>150MH-PS*</b>	<b>150HPS</b>		<b>347</b>	<b>240</b>		

\* PS stands for pulse start  
 \*\* Not all voltages are available for all lamp types  
 \*\*\*Either supplying factory with a color chip or a RAL number can specify custom color. (Some custom colors will be subject to a small lot setup charge)  
 Ordering example:  
 WA8-WMD-100MH-PS120-BRZ  
 This would order: WallArt series 8, wall mounted down, 100W MH-PS, 120V, painted bronze.